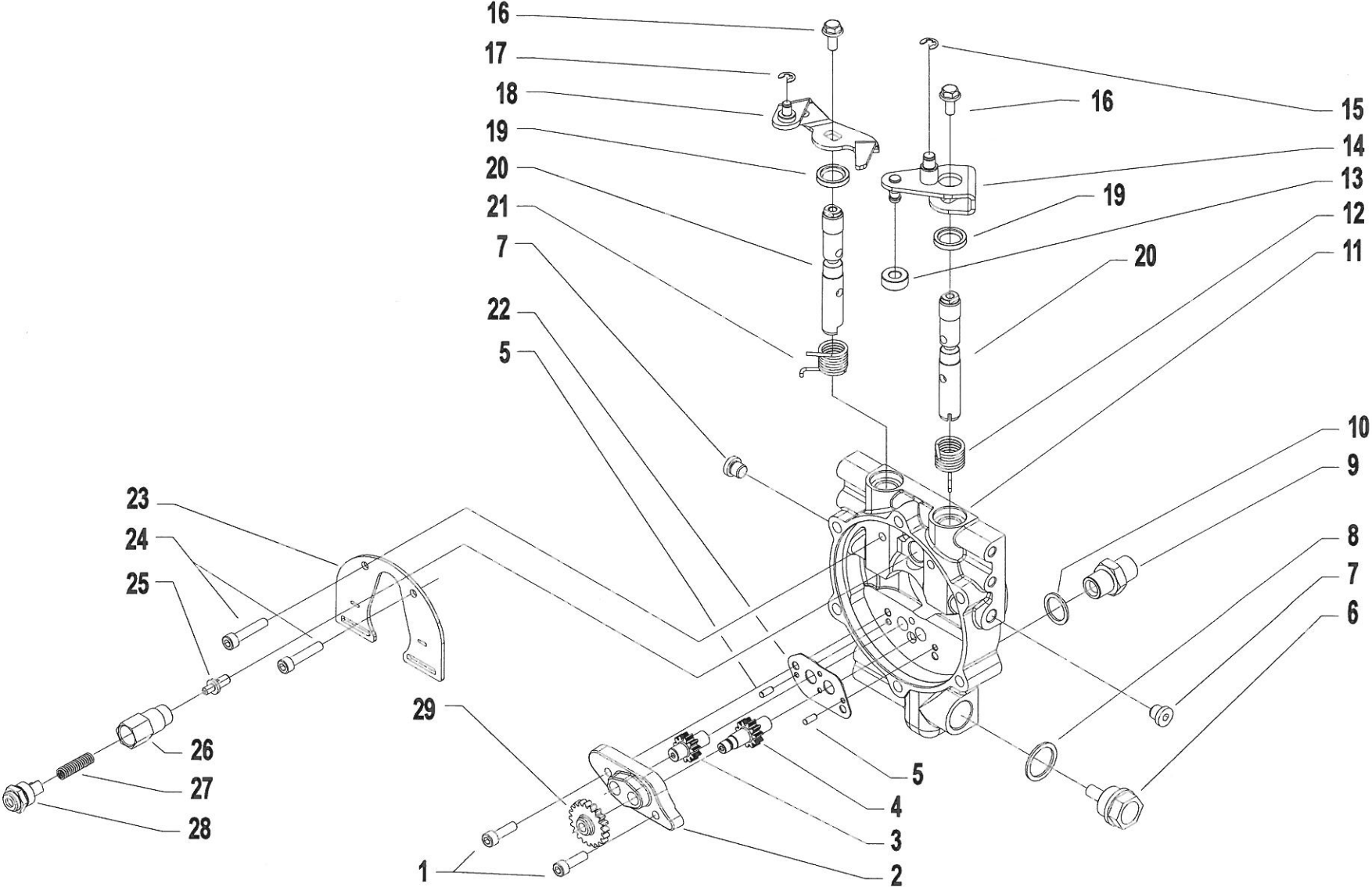
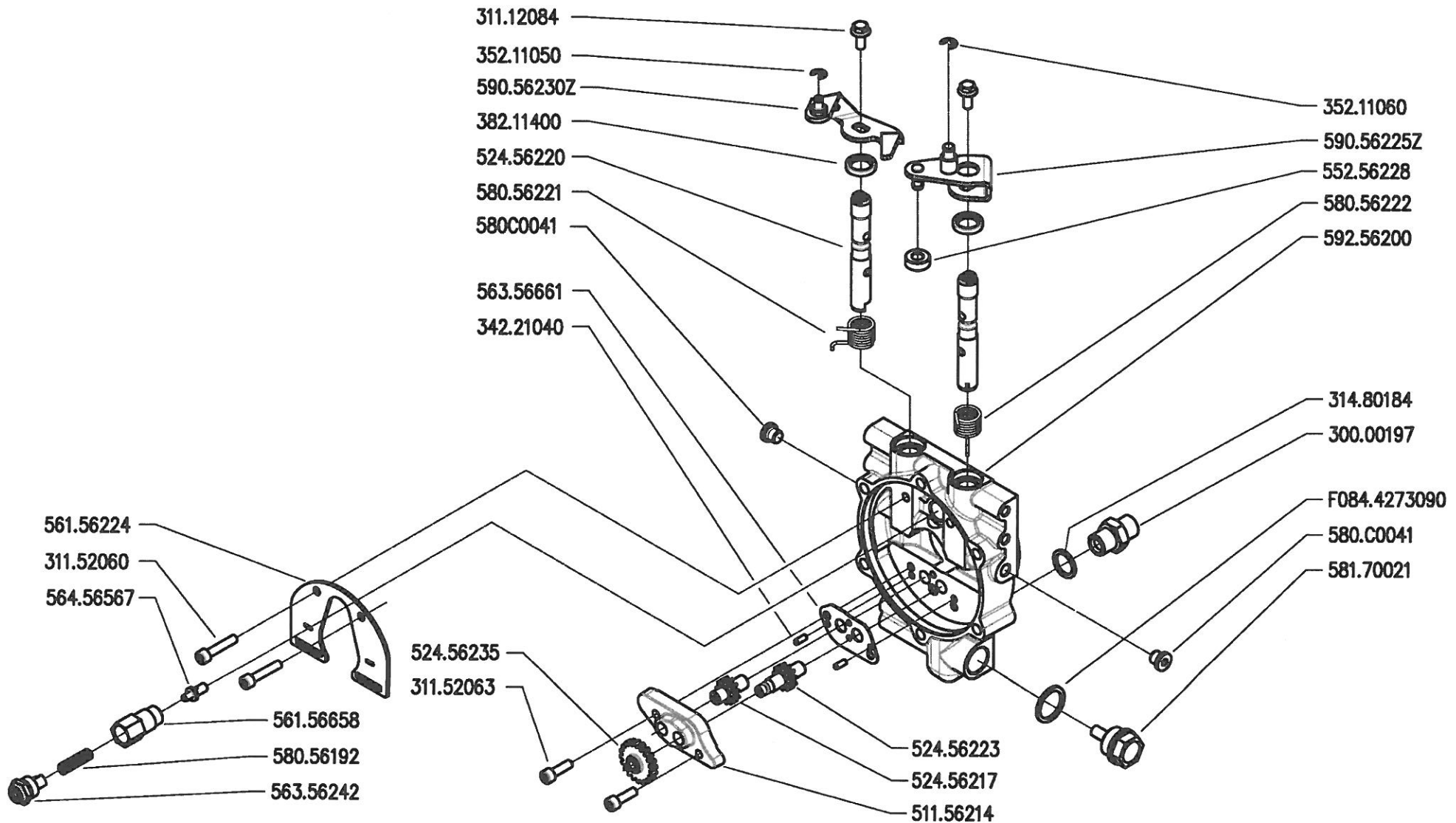
	600 serie PS PowerSafe®	ENGINE PROTECTIONS PROTECCIONES MOTOR	PROTEZIONI MOTORE (650)		DALLA MACCHINA DE LA MAQUINA DE LA MACHINA FROM THE MACHINE AB DER MASCHINE	N.	Rev.
			PROTECTIONS MOTEUR MOTORSCHUTZ	A01			0
						11/2010	DITE/BCS - Scala 1:15

Pos.	Code	Q.ty	Description	Notes
31112085	31112085	1	SCREW TE M6X16 DIN 6921 8G	
31112154	31112154	1	SCREW TE M8X40 UNI 5739 8G	
31112171	31112171	1	SCREW TE C/F M8X16 DIN 6921	
31121008	31121008	1	SCREW TBCEI M10X16 ISO 7380	
31241060	31241060	1	SELFLOCK NUT M6	
31241084	31241084	1	SELFLOCK NUT M8 6S	
55257621	55257621	1	GUARD	
55257623	55257623	1	GUARD	
56156241	56156241N	1	TUNNEL LUNGO	
56157399	56157399	1	HOLDER	
58056991	58056991	1	CABLE GLAND	
58057266	58057266	1	HOLDER	
59056111	59056111N	1	SHIELD	

POWERSAFE CLUCH CONTROL



Pos.	Code	Q.ty	Description	Notes
9	30000197	1	NIPPLE	
16	31112084	1	VITE TE C/F M6X14 DIN 6921 8G	
24	31152060	1	SCREW TCEI M6X30 UNI 5931	
1	31152063	1	SCREW TCEI M6X20 UNI 5931	
10	31480184	1	COPPER WASHER 16,7x22/1,5	
5	34221040	1	CYLINDRICAL PLUG	
17	35211050	1	SEEGER RING	
15	35211060	1	SEEGER RING E 6 UNI 7434	
19	38211400	1	OIL SEAL 14X22X4	
2	51156214	1	COVER	
3	52456217	1	DRIVEN GEAR	
20	52456220	1	DISTRIBUTOR	
4	52456223	1	GEAR	
13	55256228	1	ROLLER	
23	56156224	1	SHIELD	
26	56156658	1	VALVE SEAT	
28	56356242	1	TAPPO VALVOLA	
22	56356661	1	COUNTERWEIGHT	
25	56456657	1	VALVE	
21	58056221	1	SPRING	
12	58056222	1	SPRING	
27	58056683	1	MOLLA VALVOLA 2.5	
7	580C0041	1	TAPPO 1/8 GAS - 107601 CAST	
6	58170021	1	PLUG	
14	59056225Z	1	CLUTCH LEVER	
18	59056298Z	1	LEVA STOP C.TA ZNT	
11	59256200	1	CLUTCH FLANGE	
8	F0844273090	1	GASKET 22X28X1,5 CU 99,5	



600 serie PS
 PowerSafe®

COMANDO FRIZIONE POWERSAFE

POWERSAFE CLUTCH CONTROL
 CONTROL EMBRAGUE POWERSAFE

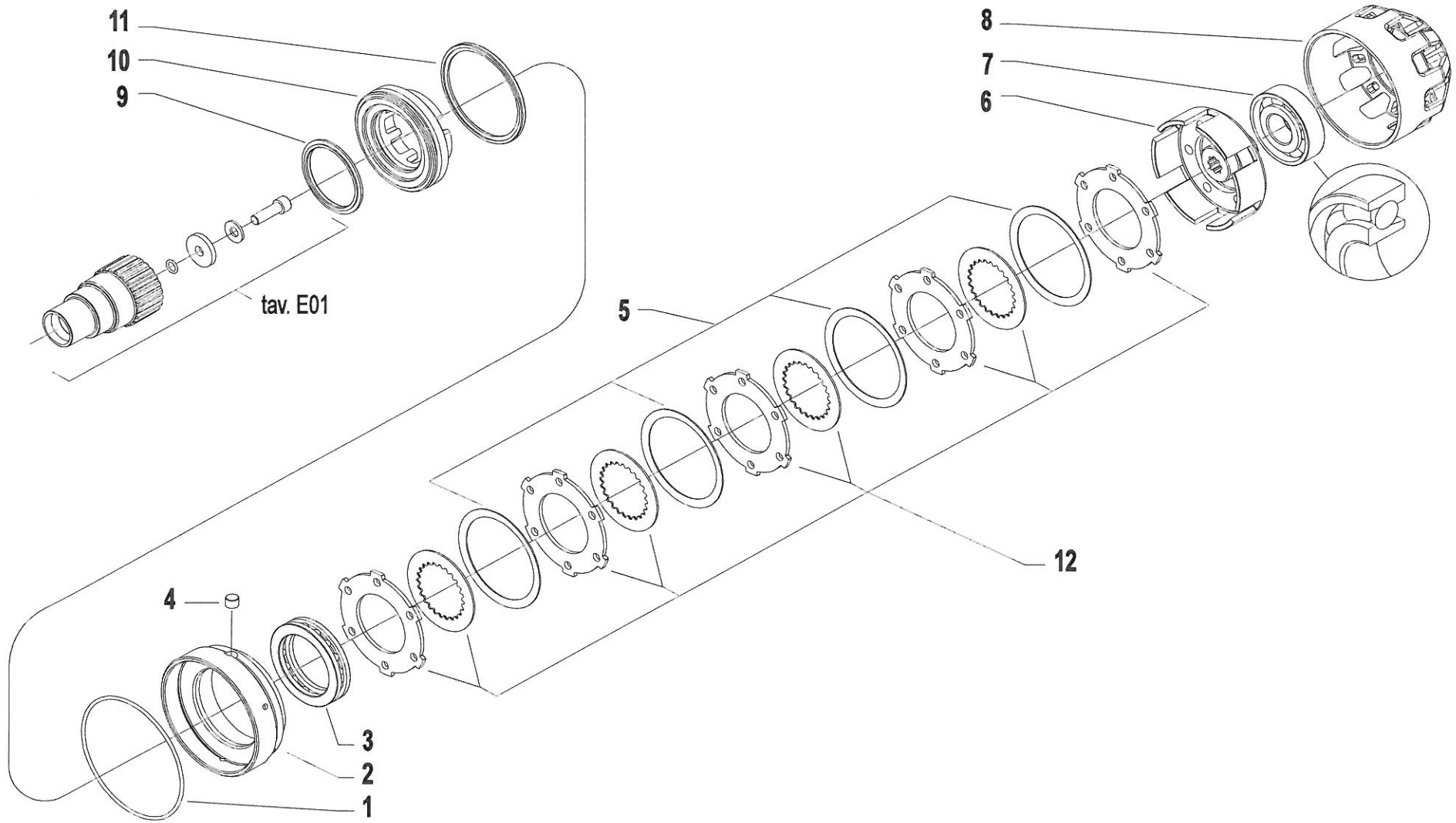
CONTRÔLE EMBRAYAGE POWERSAFE
 REGELUND POWERSAFE KUPPLUNG

DALLA MACCHINA
 DE LA MAQUINA
 FROM THE MACHINE
 AB DER MASCHINE

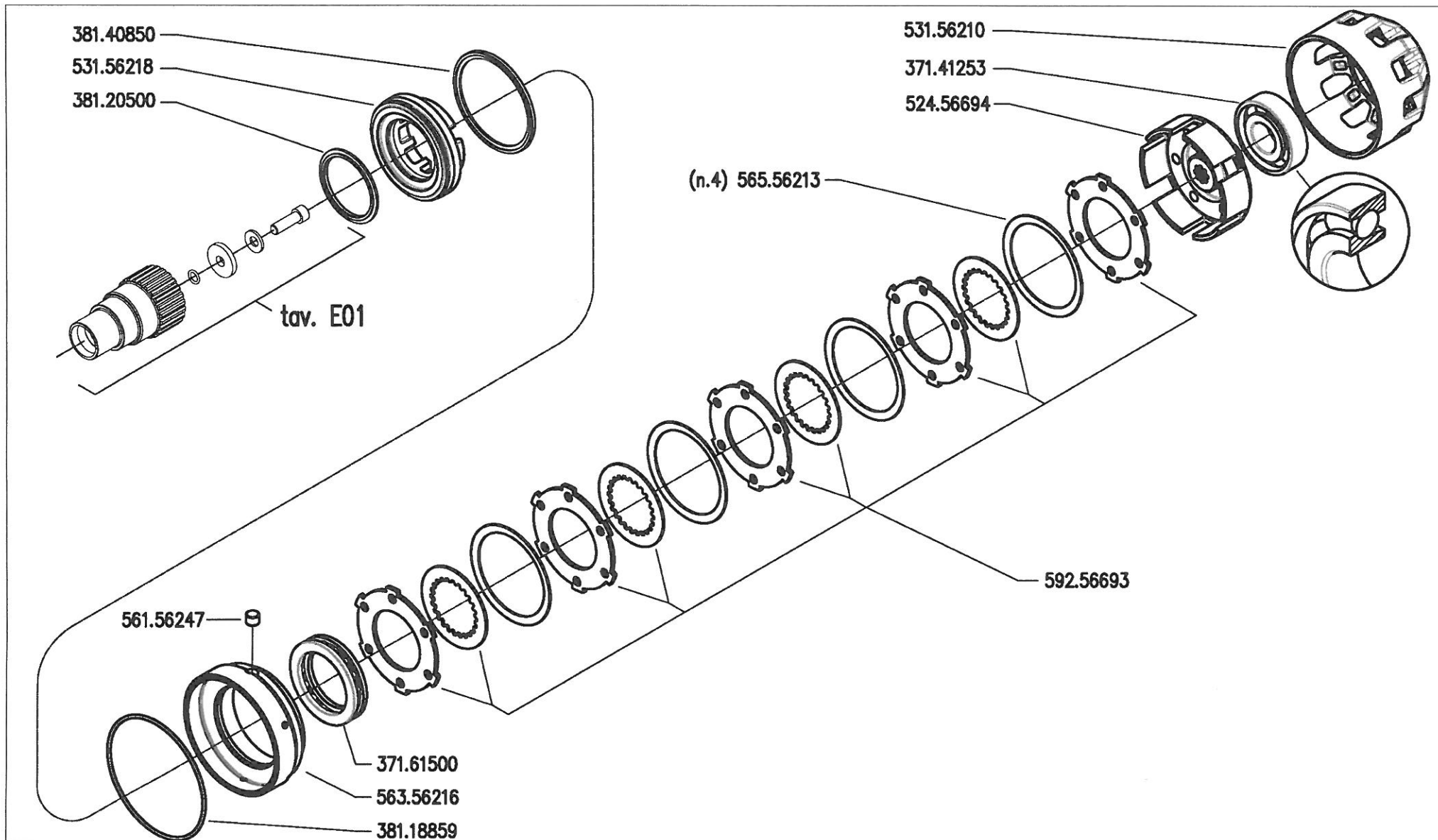
N.

	Rev.
B01	0
11/2010	

Pos.	Code	Q.ty	Description	Notes
30000197	30000197	1	NIPPLE	
31112084	31112084	1	VITE TE C/F M6X14 DIN 6921 8G	
31152060	31152060	1	SCREW TCEI M6X30 UNI 5931	
31152063	31152063	1	SCREW TCEI M6X20 UNI 5931	
31480184	31480184	1	COPPER WASHER 16,7x22/1,5	
34221040	34221040	1	CYLINDRICAL PLUG	
35211050	35211050	1	SEEGER RING	
35211060	35211060	1	SEEGER RING E 6 UNI 7434	
38211400	38211400	1	OIL SEAL 14X22X4	
51156214	51156214	1	COVER	
52456217	52456217	1	DRIVEN GEAR	
52456220	52456220	1	DISTRIBUTOR	
52456223	52456223	1	GEAR	
52456235	52456235	1	PUMP GEAR	
55256228	55256228	1	ROLLER	
56156224	56156224	1	SHIELD	
56156568	56156568	1	SPACER	
56356242	56356242	1	TAPPO VALVOLA	
56356661	56356661	1	COUNTERWEIGHT	
58056192	58056192	1	SPRING	
58056221	58056221	1	SPRING	
58056222	58056222	1	SPRING	
580C0041	580C0041	1	TAPPO 1/8 GAS - 107601 CAST	
58170021	58170021	1	PLUG	
59056225	59056225Z	1	CLUTCH LEVER	
59056230	59056230Z	1	LEVER	
59256200	59256200	1	CLUTCH FLANGE	
F0844273	F0844273090	1	GASKET 22X28X1,5 CU 99,5	



Pos.	Code	Q.ty	Description	Notes
7	37141253	1	BEARING	
3	37161500	1	BEARING	
1	38118859	1	O-RING	
9	38120500	1	RING	
11	38140850	1	RING	
6	52456694	1	CAMPANA FRIZIONE	
8	53156210	1	SUMP	
10	53156218	1	PISTON	
4	56156247	1	PIN	
2	56356216	1	RING	
5	56556213	1	SPRING	
12	59256693	1	9 DISC CLUTCH	



600 serie PS
PowerSafe®

CILINDRO E FRIZIONE POWERSAFE

CYLINDER AND POWERSAFE CLUTCH
CILINDRO Y EMBRAGUE POWERSAFE

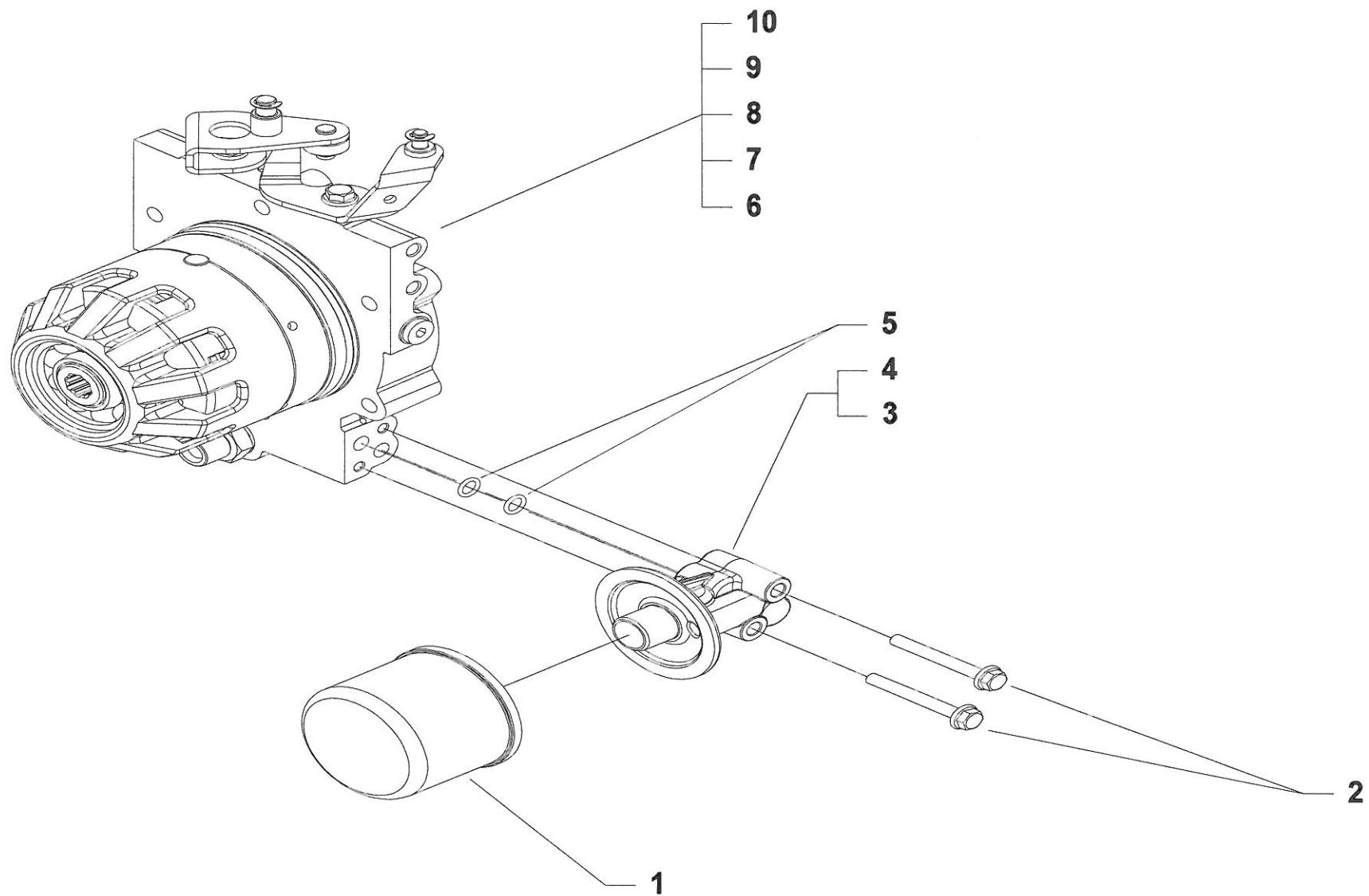
CYLINDER ET EMBRAYAGE POWERSAFE
ZILINDER UND POWERSAFE KUPPLUNG

DALLA MACCHINA
DE LA MAQUINA
DE LA MAQUINA
FROM THE MACHINE
AB DER MASCHINE

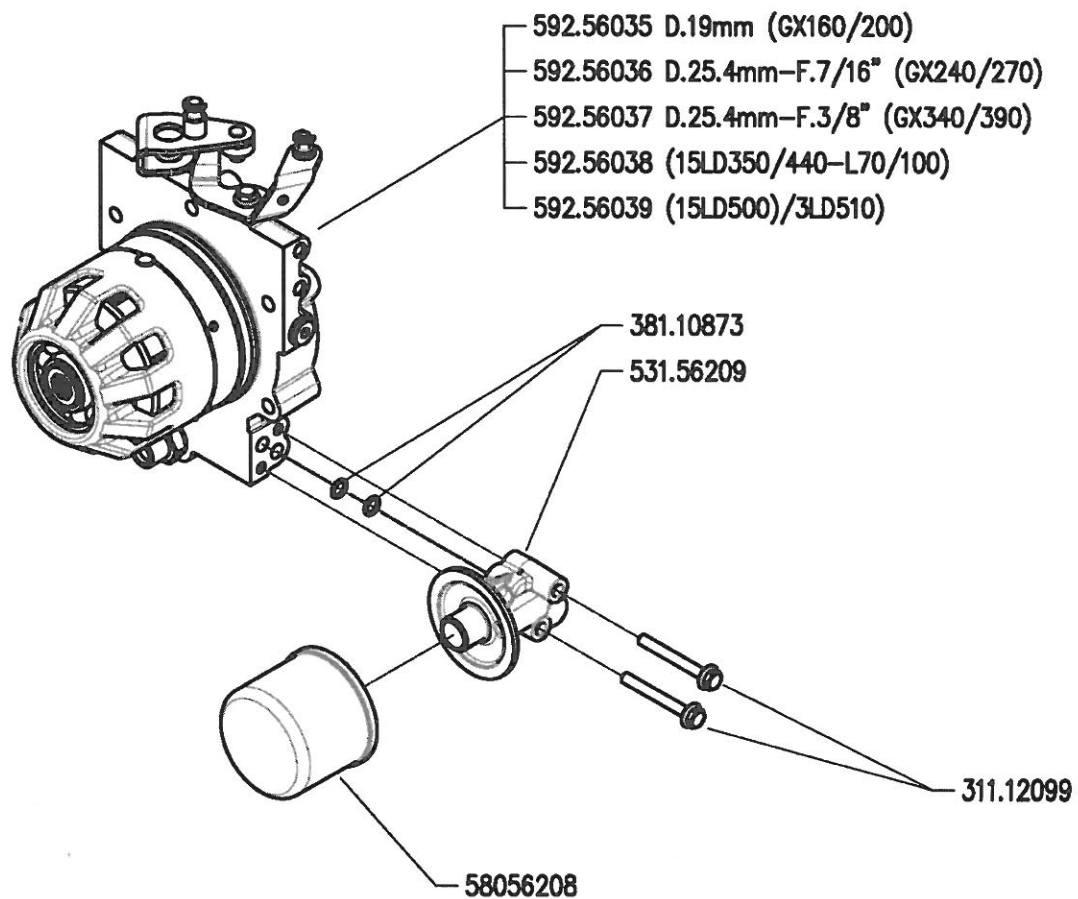
N.

C01	Rev. 0
	11/2010

Pos.	Code	Q.ty	Description	Notes
37141253	37141253	1	BEARING	
37161500	37161500	1	BEARING	
38118859	38118859	1	O-RING	
38120500	38120500	1	RING	
38140850	38140850	1	RING	
52456694	52456694	1	CAMPANA FRIZIONE	
53156210	53156210	1	SUMP	
53156218	53156218	1	PISTON	
56156247	56156247	1	PIN	
56356216	56356216	1	RING	
56556213	56556213	1	SPRING	
59256693	59256693	1	9 DISC CLUTCH	



Pos.	Code	Q.ty	Description	Notes
1	58056208	1	FILTER	
2	31112099	1	VITE TE C/F M6X50 DIN 6921 8G	
3	53156659	1	CONNECTION	For the 730 series PS EasyDrive
4	53156209	1	CONNECTION	
5	38110873	1	O-RING 108 (8,73X1,78)	
6	59256039	1	POWERSAFE CLUTCH ASSY	For engines 15LD500/3LD510
7	59256038	1	GR.FRIZ.POWERSAFE CONO IT C.TO	For engines 15LD350/440-L70/100
8	59256037	1	GR.FRIZ.POWERSAFE Q25.4 (3/8)	For engines GX340/GX390
9	59256036	1	POWERSAFE CLUTCH	For engines GX240/GX270/EX21
10	59256035	1	POWERSAFE CLUTCH ASSY Q19	For engines GX160/GX200



600 serie PS
 PowerSafe®

GRUPPO E FILTRO POWERSAFE

POWERSAFE FILTER AND UNIT
 FILTRO POWERSAFE

FILTRE POWERSAFE
 POWERSAFE FILTER

DALLA MACCHINA
 DE LA MAQUINA
 FROM THE MACHINE
 AB DER MASCHINE

N.

D01 0

11/2010

Rev.

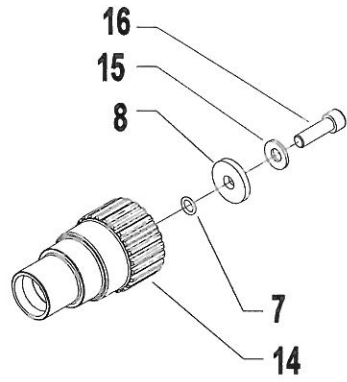
Pos.	Code	Q.ty	Description	Notes
31112099	31112099	1	VITE TE C/F M6X50 DIN 6921 8G	
38110873	38110873	1	O-RING 108 (8,73X1,78)	
53156209	53156209	1	CONNECTION	
58056208	58056208	1	FILTER	
59256035	59256035	1	POWERSAFE CLUTCH ASSY Q19	
59256036	59256036	1	POWERSAFE CLUTCH	
59256037	59256037	1	GR.FRIZ.POWERSAFE Q25.4 (3/8)	
59256038	59256038	1	GR.FRIZ.POWERSAFE CONO IT C.TO	
59256039	59256039	1	POWERSAFE CLUTCH ASSY	

SERIAL

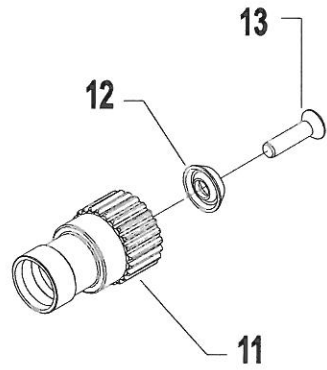
POWERSAFE FILTER AND UNIT

CODE REV

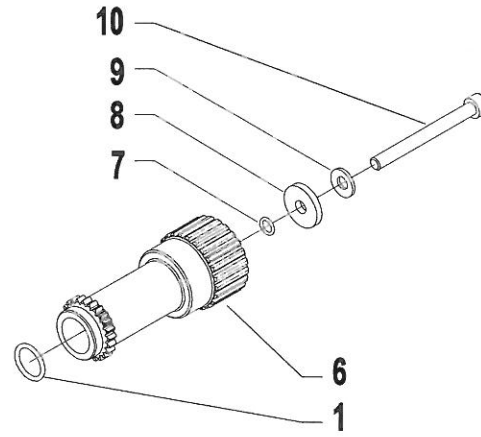
D01_0_140944



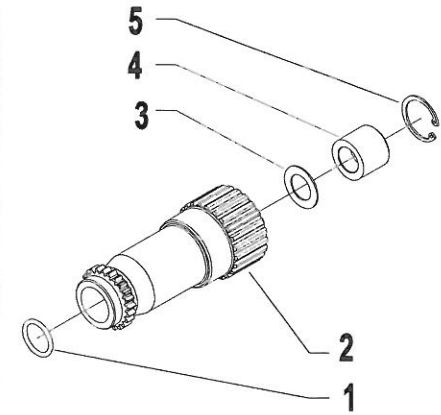
GX 160-200



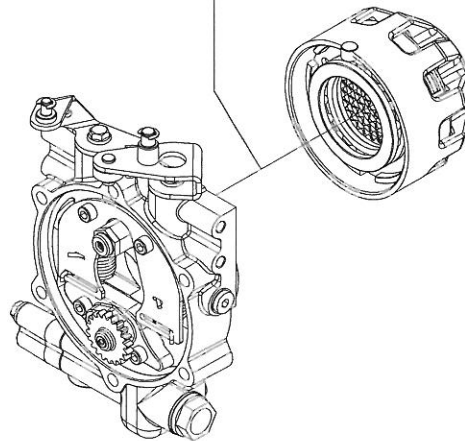
GX 240-270-340-390-EX35



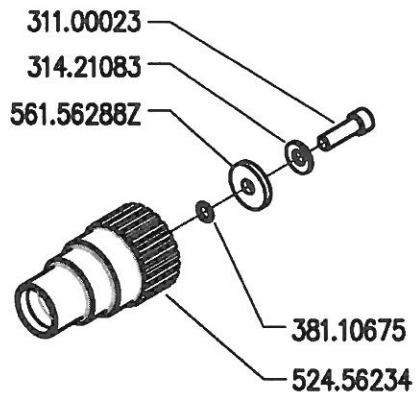
15LD350-440 - L70-100



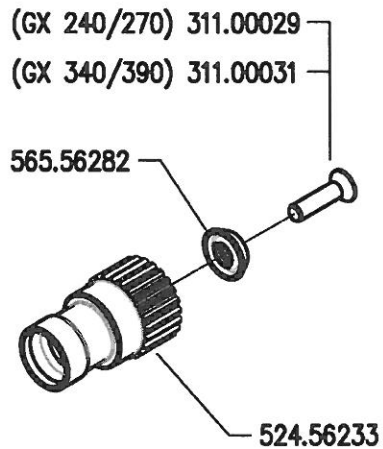
15LD500 - 3LD510



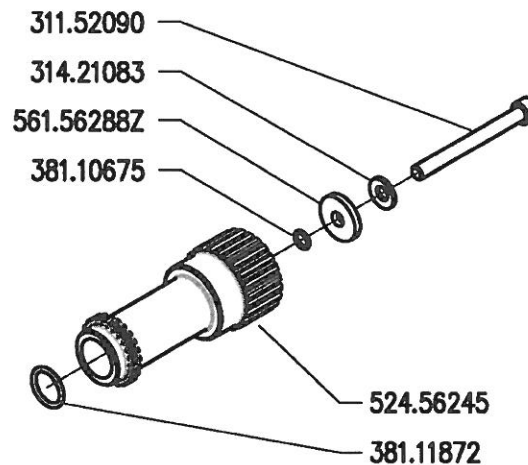
Pos.	Code	Q.ty	Description	Notes
16	31100023	1	SCREW 5/16-24	
13	31100029	1	VITE TSVEI 7/16-20X1 1/2 UNF8G	For engines GX240/GX270
13	31100031	1	VITE TSVEI 3/8-24X1 1/2 UNF 8G	For engines GX340/GX390/EX35
10	31152090	1	SCREW TCEI M8x80 UNI5931	
15	31421083	1	WASHER	
9	31421083	1	WASHER	
5	35111029	1	SEEGER RING	
7	38110675	1	O-RING 106 (6.75X1.78)	
1	38111872	1	O-RING 3075 (18,72x2,62)	
11	52456233	1	HUB	
14	52456234	1	HUB	
2	52456243	1	HUB	
6	52456245	1	HUB	
8	56156288Z	1	SPECIAL WASHER SP.4	
4	56347870Z	1	SPECIAL NUT	
3	56347873	1	WASHER	
12	56556282	1	WASHER D.25,4	



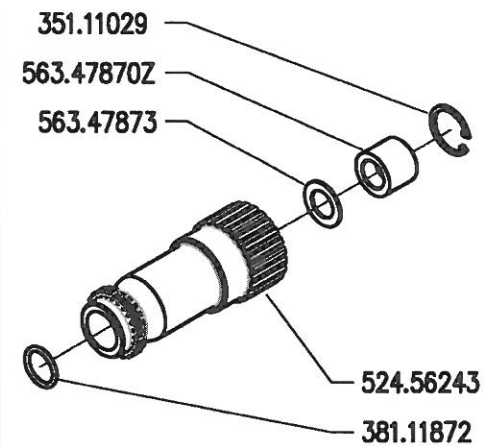
GX 160-200



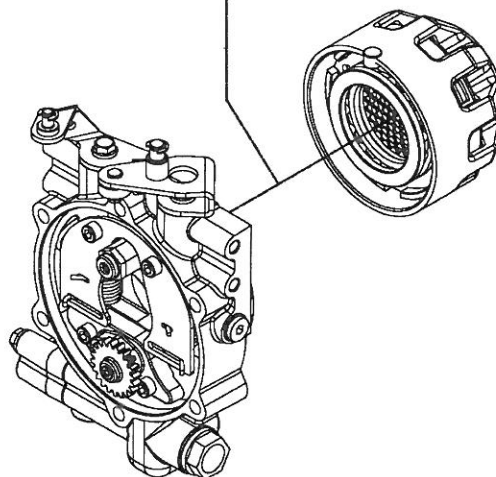
GX 240-270-340-390



15LD350-440 - L70-100



15LD500 - 3LD510



600 serie PS
PowerSafe®

MOZZI FRIZIONE POWERSAFE

POWERSAFE CLUTCH HUBS
CUBOS EMBRAGUE POWERSAFE

MOYEURS EMBRAYAGE POWERSAFE
NABEN POWERSAFE KUPPLUNG

DALLA MACCHINA
DE LA MAQUINA
FROM THE MACHINE
AB DER MASCHINE

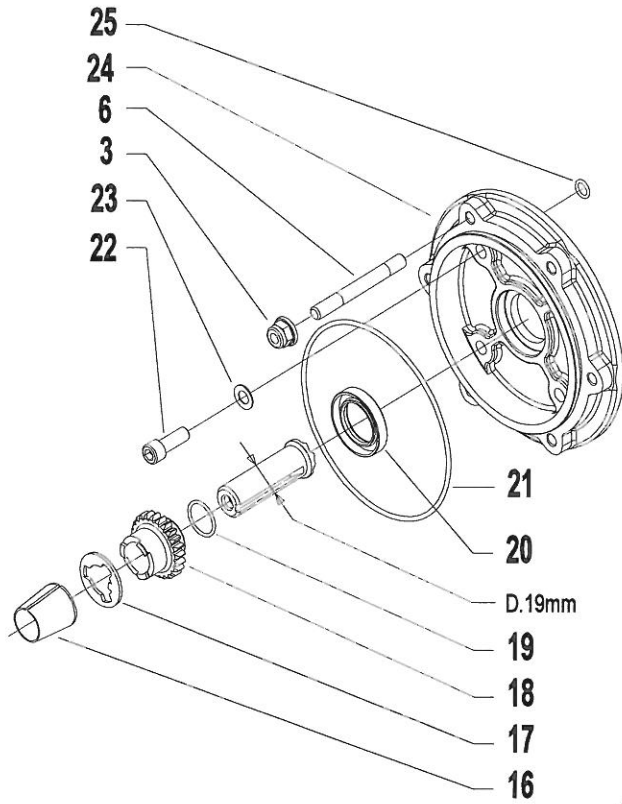
N.

E01 0

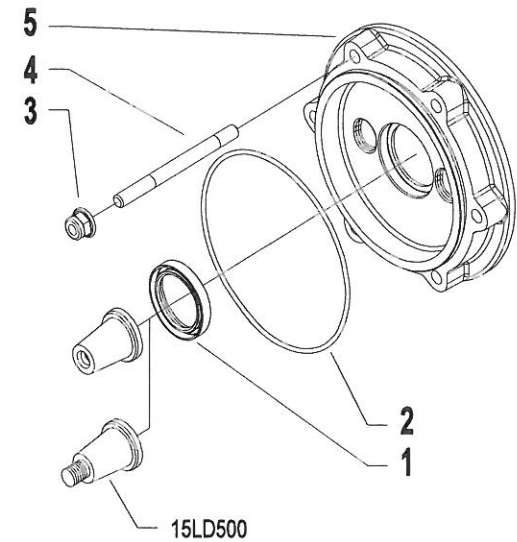
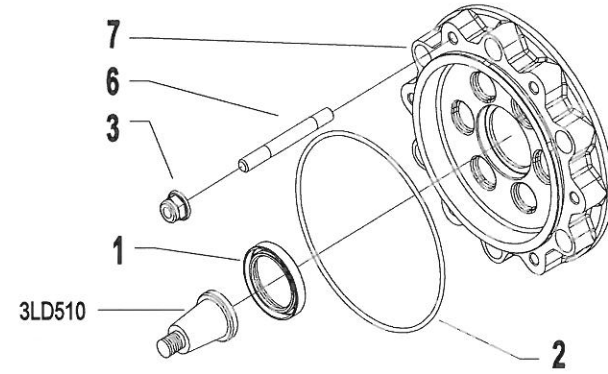
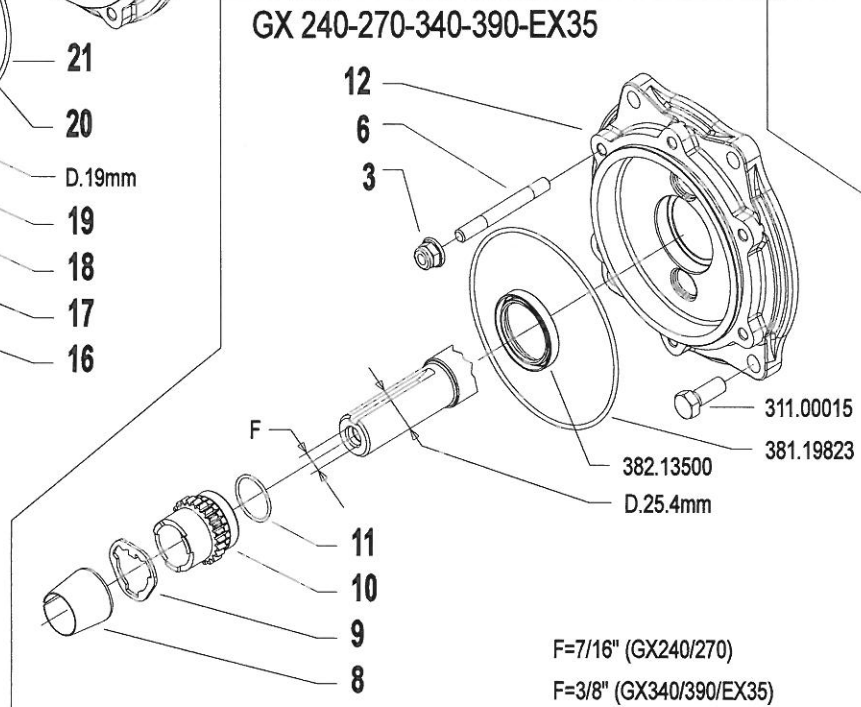
11/2010

Rev.

Pos.	Code	Q.ty	Description	Notes
31100023	31100023	1	SCREW 5/16-24	
31100029	31100029	1	VITE TSVEI 7/16-20X1 1/2 UNF8G	
31100031	31100031	1	VITE TSVEI 3/8-24X1 1/2 UNF 8G	
31152090	31152090	1	SCREW TCEI M8x80 UNI5931	
31421083	31421083	1	WASHER	
35111029	35111029	1	SEEGER RING	
38110675	38110675	1	O-RING 106 (6.75X1.78)	
38111872	38111872	1	O-RING 3075 (18,72x2,62)	
52456233	52456233	1	HUB	
52456234	52456234	1	HUB	
52456243	52456243	1	HUB	
52456245	52456245	1	HUB	
56156288	56156288Z	1	SPECIAL WASHER SP.4	
56347870	56347870Z	1	SPECIAL NUT	
56347873	56347873	1	WASHER	
56556282	56556282	1	WASHER D.25,4	

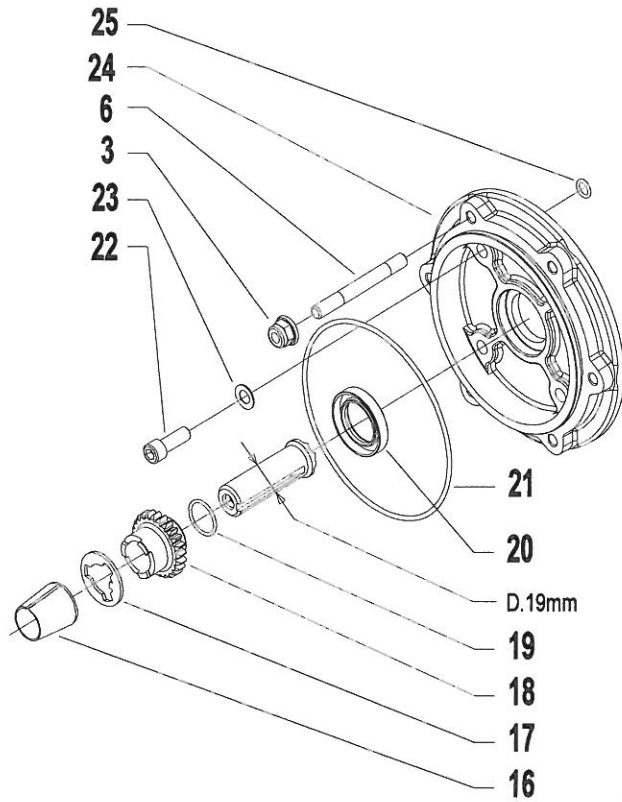


GX 160-200

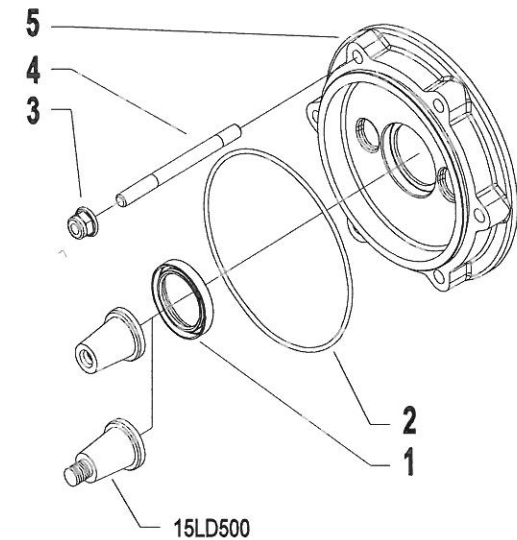
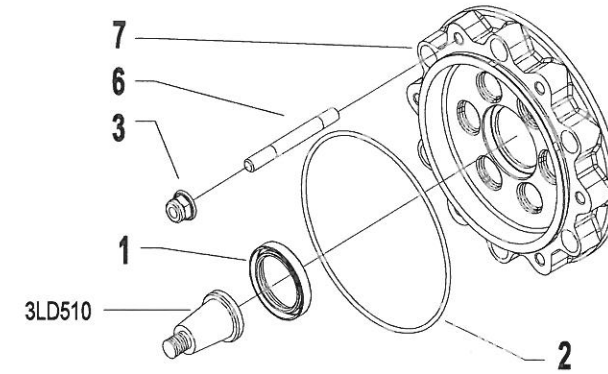
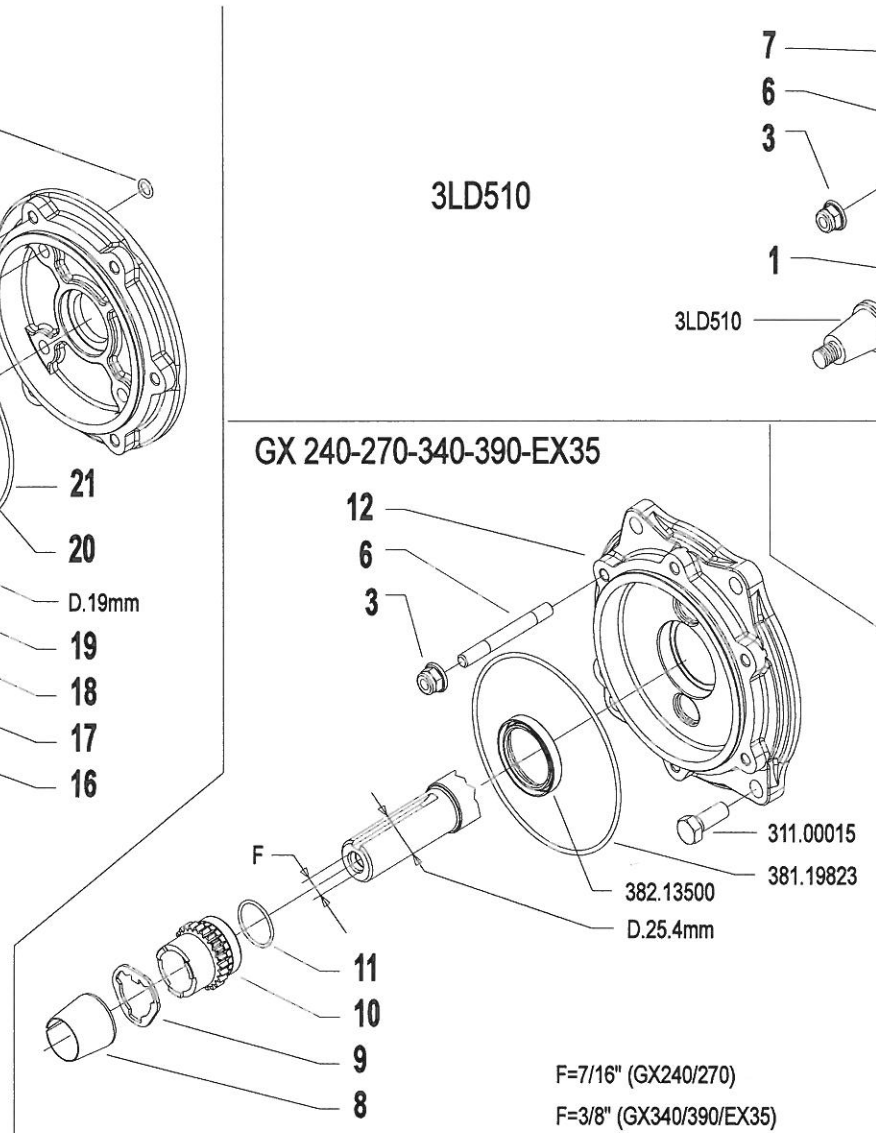


15LD350-440-500
L70-100

Pos.	Code	Q.ty	Description	Notes
15	31100015	1	SCREW TE 3/8X1	
22	31104022	1	VITE TCEI 5/16X7/8 UNF 12K	
3	31241083	1	SELFLOCK NUT M8	
6	31312073	1	STUD BOLT	
4	31312097	1	STUD BOLT	
23	31423084	1	SPRING WASHER 8,4	
25	38110873	1	O-RING 108 (8,73X1,78)	
14	38119823	1	O-RING	
2	38119823	1	O-RING	
21	38119823	1	O-RING	
20	38212500	1	OIL SEAL 25X40X7	
1	38213202	1	OIL SEAL 32X45X7	
13	38213500	1	OIL SEAL 35X47X7	
10	52456236	1	PUMP GEAR	
18	52456237	1	PUMP GEAR	
10	52456352	1	INGRANAGGIO POMPA EX35	For the engine, EX35
12	53156205	1	ENGINE FLANGE	
24	53156206	1	ENGINE FLANGE	
5	53156207	1	ENGINE FLANGE	
7	532C0055	1	FLANGIA MOTORE ACT	
16	56156276	1	SLEEVE	
8	56156281	1	CENTRING BUSH	
9	56356239	1	TRASCINATORE Q25	
17	56356240	1	TRASCINATORE Q19	
19	F0803067000	1	O-RING 2075 (18,77X1,78)	
11	F0803075500	1	O-RING 2100 (25,12X1,78)	

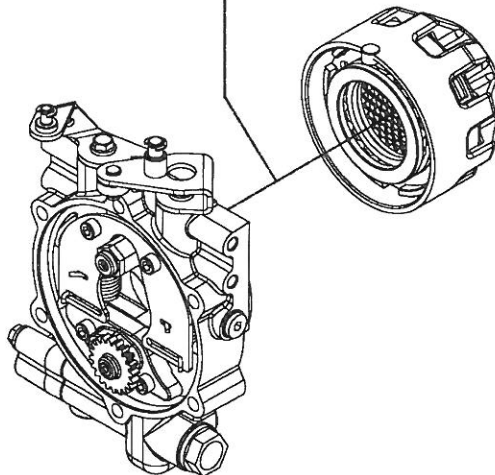
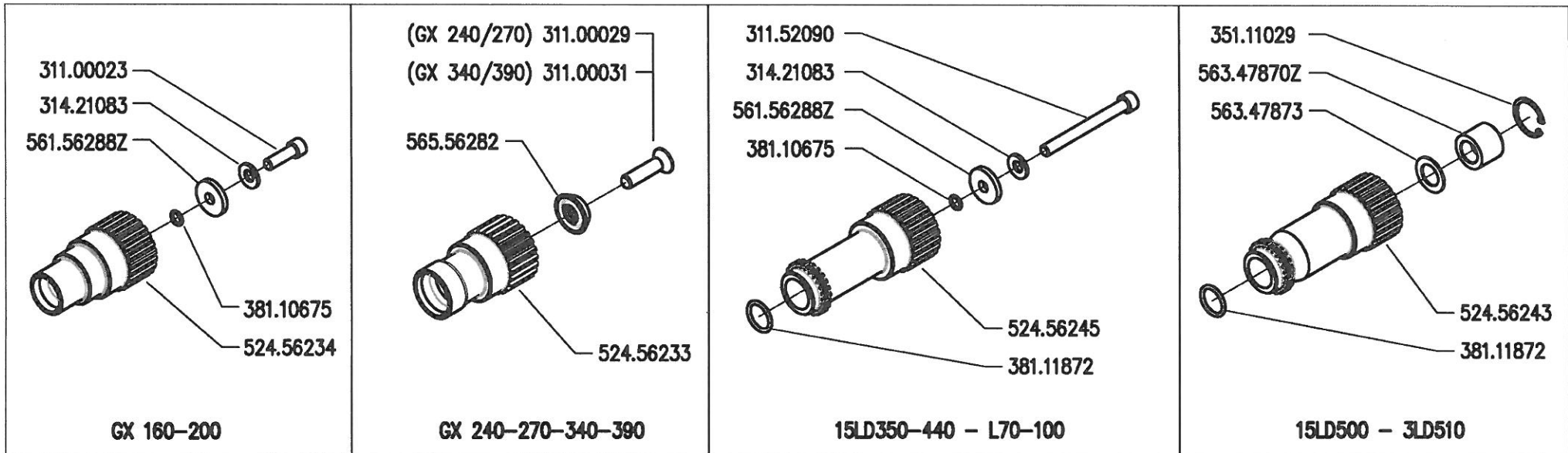


GX 160-200



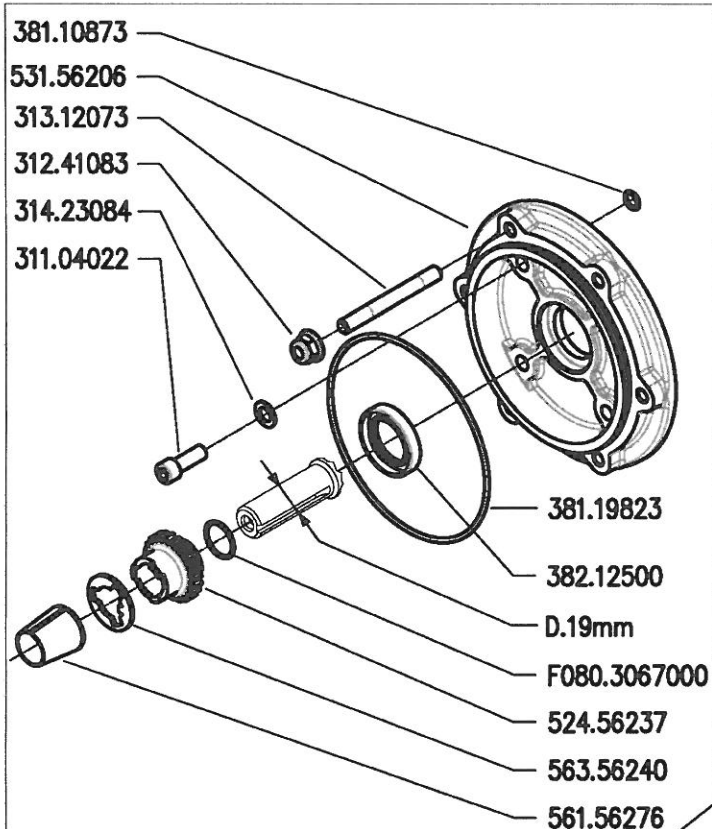
15LD350-440-500
L70-100

Pos.	Code	Q.ty	Description	Notes
15	31100015	1	SCREW TE 3/8X1	
22	31104022	1	VITE TCEI 5/16X7/8 UNF 12K	
3	31241083	1	SELFLOCK NUT M8	
6	31312073	1	STUD BOLT	
4	31312097	1	STUD BOLT	
23	31423084	1	SPRING WASHER 8,4	
25	38110873	1	O-RING 108 (8,73X1,78)	
14	38119823	1	O-RING	
2	38119823	1	O-RING	
21	38119823	1	O-RING	
20	38212500	1	OIL SEAL 25X40X7	
1	38213202	1	OIL SEAL 32X45X7	
13	38213500	1	OIL SEAL 35X47X7	
10	52456236	1	PUMP GEAR	
18	52456237	1	PUMP GEAR	
10	52456352	1	INGRANAGGIO POMPA EX35	For the engine, EX35
12	53156205	1	ENGINE FLANGE	
24	53156206	1	ENGINE FLANGE	
5	53156207	1	ENGINE FLANGE	
7	532C0055	1	FLANGIA MOTORE ACT	
16	56156276	1	SLEEVE	
8	56156281	1	CENTRING BUSH	
9	56356239	1	TRASCINATORE Q25	
17	56356240	1	TRASCINATORE Q19	
19	F0803067000	1	O-RING 2075 (18,77X1,78)	
11	F0803075500	1	O-RING 2100 (25,12X1,78)	



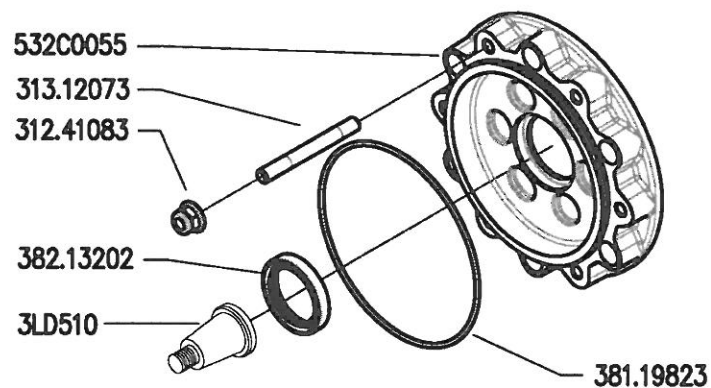
	<p>600 serie PS PowerSafe®</p>	<p align="center">MOZZI FRIZIONE POWERSAFE</p> <p>POWERSAFE CLUTCH HUBS CUBOS EMBRAGUE POWERSAFE</p> <p align="center">MOYEUX EMBRAYAGE POWERSAFE NABEN POWERSAFE KUPPLUNG</p>	<p>DALLA MACCHINA DE LA MAQUINA DE LA MAQUINA FROM THE MACHINE AB DER MASCHINE</p>	<p>N.</p>	<table border="1"> <tr> <td align="center">Rev.</td> <td align="center">E01</td> <td align="center">0</td> </tr> <tr> <td align="center">11/2010</td> <td></td> <td></td> </tr> </table>	Rev.	E01	0	11/2010		
Rev.	E01	0									
11/2010											

Pos.	Code	Q.ty	Description	Notes
31100023	31100023	1	SCREW 5/16-24	
31100029	31100029	1	VITE TSVEI 7/16-20X1 1/2 UNF8G	
31100031	31100031	1	VITE TSVEI 3/8-24X1 1/2 UNF 8G	
31152090	31152090	1	SCREW TCEI M8x80 UNI5931	
31421083	31421083	1	WASHER	
35111029	35111029	1	SEEGER RING	
38110675	38110675	1	O-RING 106 (6.75X1.78)	
38111872	38111872	1	O-RING 3075 (18,72x2,62)	
52456233	52456233	1	HUB	
52456234	52456234	1	HUB	
52456243	52456243	1	HUB	
52456245	52456245	1	HUB	
56156288	56156288Z	1	SPECIAL WASHER SP.4	
56347870	56347870Z	1	SPECIAL NUT	
56347873	56347873	1	WASHER	
56556282	56556282	1	WASHER D.25,4	

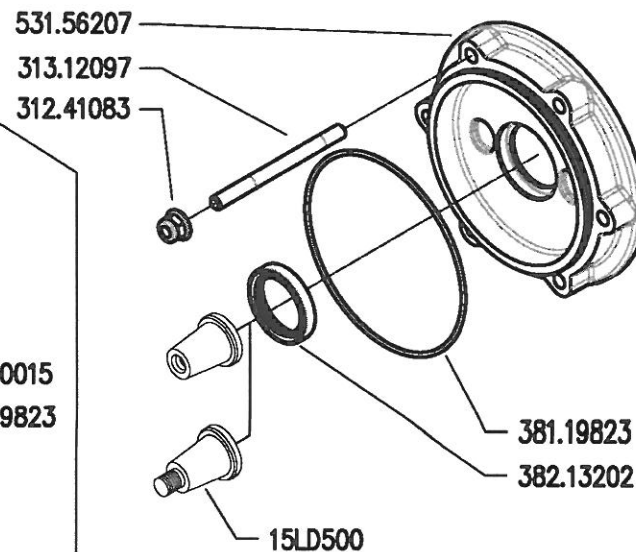
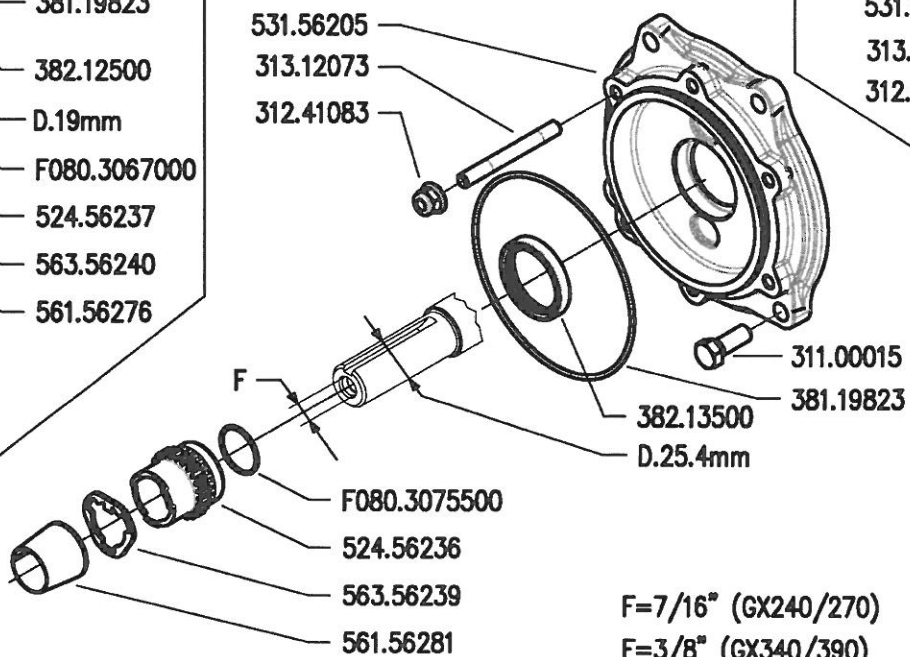


GX 160-200

3LD510



GX 240-270-340-390



15LD350-440-500
L70-100



600 serie PS
PowerSafe®

ENGINE FLANGES
BRIDAS MOTOR

FLANGIE MOTORE

BRIDES MOTEUR
MOTOR FLANSCH

DALLA MACCHINA
DE LA MAQUINA
DE LA MAQUINA
FROM THE MACHINE
AB DER MASCHINE

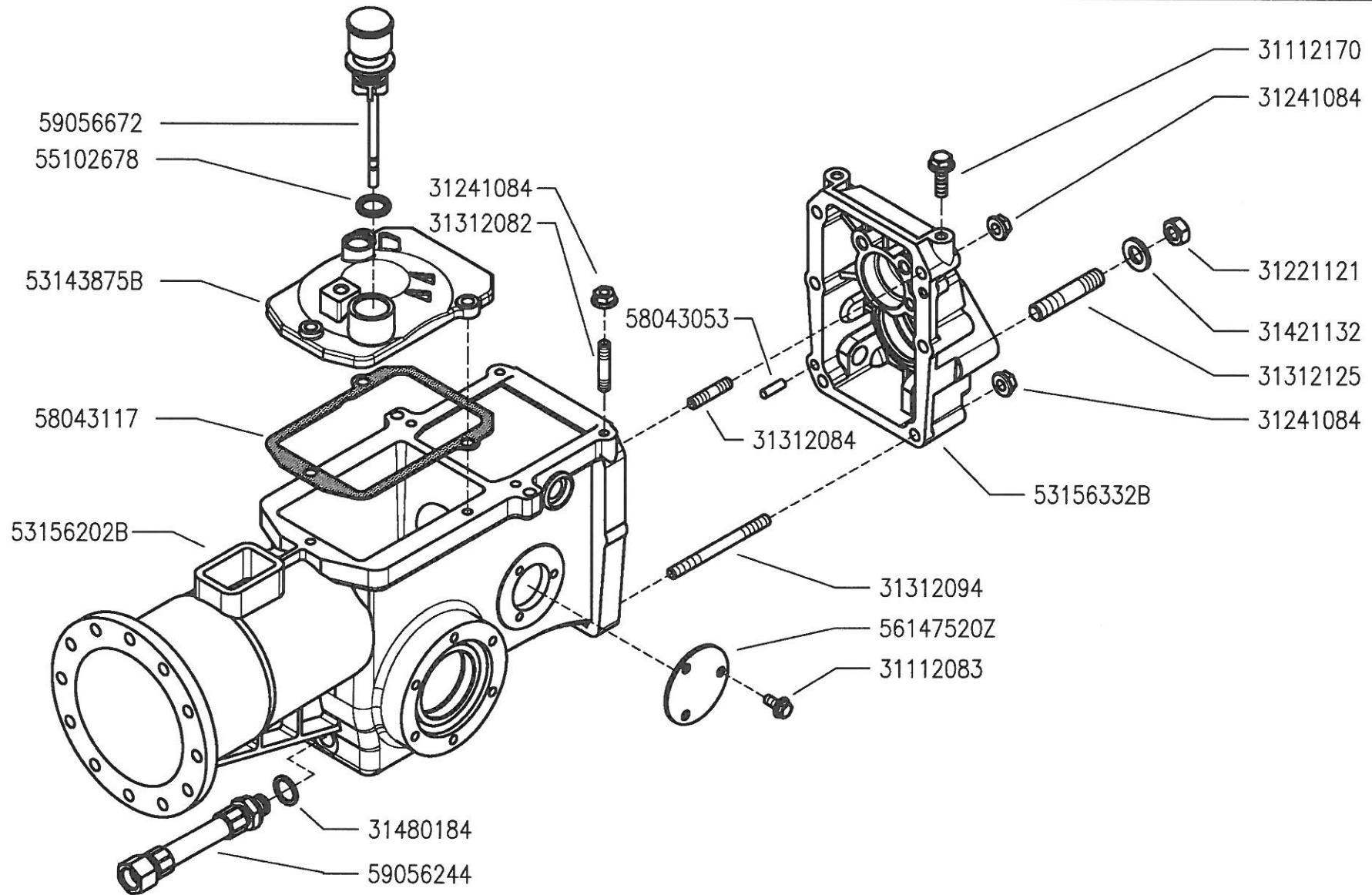
N.

F01

Rev.
0

11/2010

Pos.	Code	Q.ty	Description	Notes
31100015	31100015	1	SCREW TE 3/8X1	
31104022	31104022	1	VITE TCEI 5/16X7/8 UNF 12K	
31241083	31241083	1	SELFLOCK NUT M8	
31312073	31312073	1	STUD BOLT	
31312097	31312097	1	STUD BOLT	
31423084	31423084	1	SPRING WASHER 8,4	
38110873	38110873	1	O-RING 108 (8,73X1,78)	
38119823	38119823	1	O-RING	
38212500	38212500	1	OIL SEAL 25X40X7	
38213202	38213202	1	OIL SEAL 32X45X7	
38213500	38213500	1	OIL SEAL 35X47X7	
52456236	52456236	1	PUMP GEAR	
52456237	52456237	1	PUMP GEAR	
53156205	53156205	1	ENGINE FLANGE	
53156206	53156206	1	ENGINE FLANGE	
53156207	53156207	1	ENGINE FLANGE	
532C0055	532C0055	1	FLANGIA MOTORE ACT	
56156276	56156276	1	SLEEVE	
56156281	56156281	1	CENTRING BUSH	
56356239	56356239	1	TRASCINATORE Q25	
56356240	56356240	1	TRASCINATORE Q19	
F0803067	F0803067000	1	O-RING 2075 (18,77X1,78)	
F0803075	F0803075500	1	O-RING 2100 (25,12X1,78)	



600 serie PS
PowerSafe®

GEARBOX
CAJA DE CAMBIO

SCATOLA CAMBIO
(650)

BOITE DE VITESSES
WECHSELGETRIEBE

DALLA MACCHINA
DE LA MAQUINA
FROM THE MACHINE
AB DER MASCHINE

N.

G01 0

11/2010

Rev.

DTE.BCS - Scala 1:4

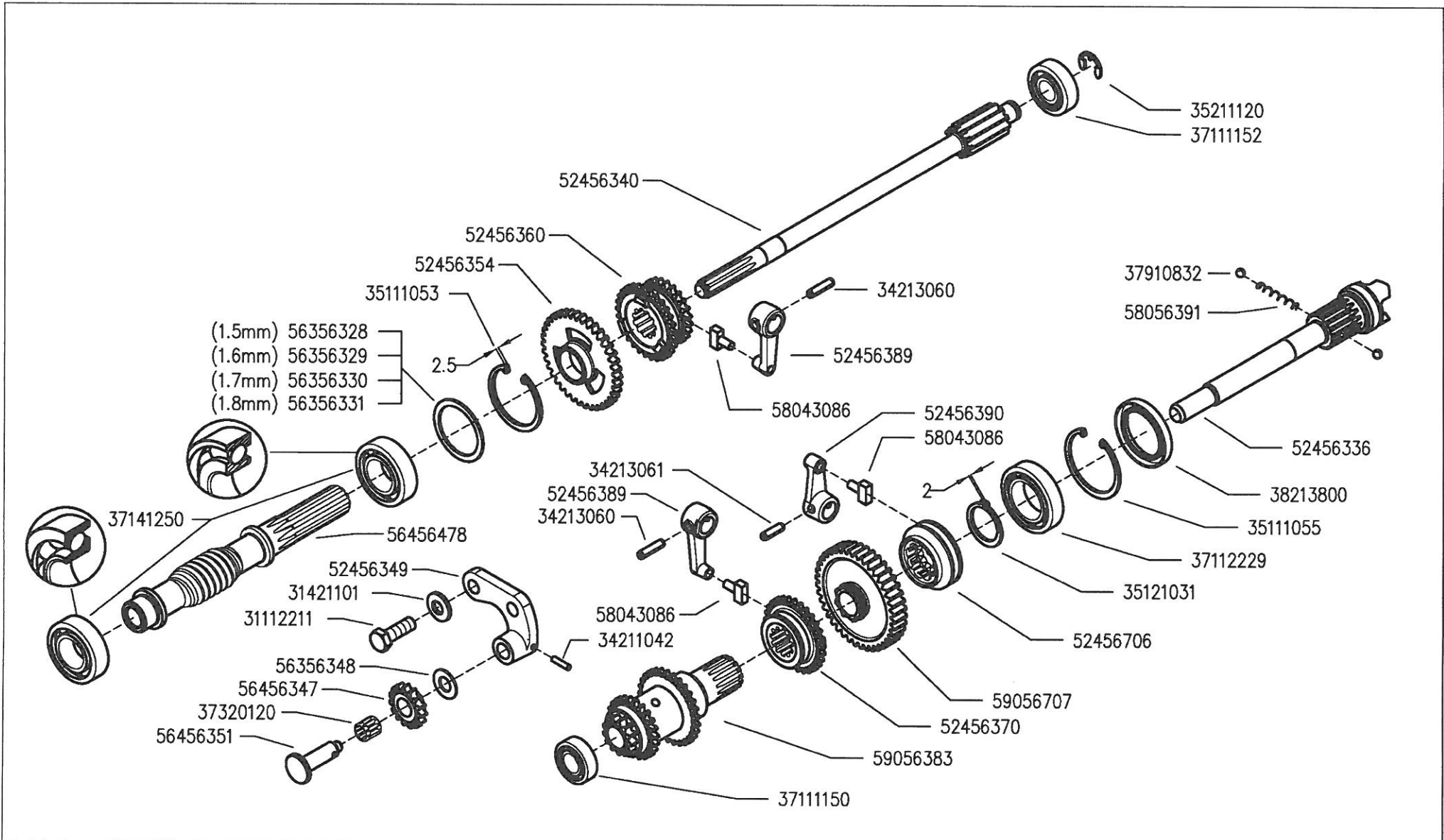
Pos.	Code	Q.ty	Description	Notes
31112083	31112083	1	SCREW M6X12	
31112170	31112170	1	SCREW TE C/F M8X20 DIN 6921	
31221121	31221121	1	NUT M12X1,25	
31241084	31241084	1	SELFLOCK NUT M8 6S	
31312082	31312082	1	STUD BOLT M8X38X14X20	
31312084	31312084	1	STUD BOLT M8X58X16X16	
31312094	31312094	1	STUD BOLT M8X68X14X36	
31312125	31312125	1	STUD BOLT	
31421132	31421132	1	WASHER 13X24X2,8	
31480184	31480184	1	COPPER WASHER 16,7x22/1,5	
53143875	53143875B	1	GEARBOX HOUSING COVER	
53156202	53156202B	1	BOX CASING	
53156332	53156332B	1	REAR COVER	
55102678	55102678	1	RUBBER RING	
56147520	56147520Z	1	COVER	
58043053	58043053	1	CYLINDRICAL PLUG	
58043117	58043117	1	COVER GASKET	
59056244	59056244	1	TUBO ASPIRAZIONE LUNGO C.TO	
59056672	59056672	1	TAPPO C/ASTA LIVELLO OLIO ED	

SERIAL

GEARBOX

CODE REV

G01_0_140995



	600 serie PS PowerSafe®	GEARS ENGRANAJES	INGRANAGGI CAMBIO (650)	ENGRANAGES ZÄHNRÄDER	DALLA MACCHINA DE LA MAQUINA DE LA MAQUINA FROM THE MACHINE AB DER MASCHINE				
						N.			
								H01	Rev. 0
								11/2010	

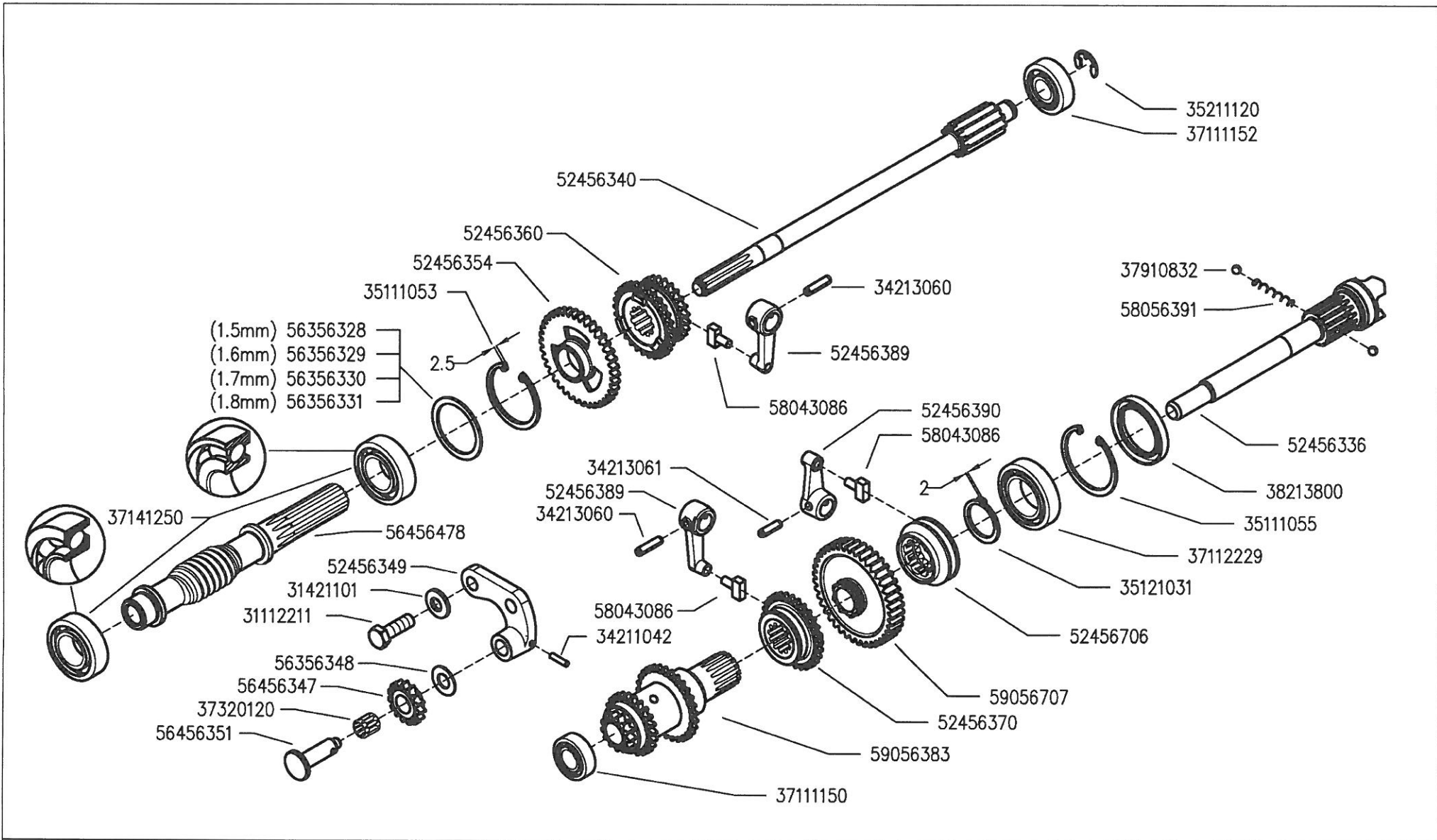
Pos.	Code	Q.ty	Description	Notes
31112211	31112211	1	SCREW TE M10X30 UNI 5739	
31421101	31421101	1	WASHER	
34211042	34211042	1	ROLL PIN	
34213060	34213060	1	ROLL PIN	
34213061	34213061	1	ROLL PIN	
35111053	35111053	1	SEEGER RING I 52 UNI 7438	
35111055	35111055	1	SEEGER RING I 55 DIN 472	
35121031	35121031	1	SEEGER RING E 30 UNI 7436	
35211120	35211120	1	SEEGER RING E 12 UNI 7434	
37111150	37111150	1	BEARING	
37111152	37111152	1	BEARING	
37112229	37112229	1	BEARING	
37141250	37141250	1	BEARING	
37320120	37320120	1	ROLLER CAGE 12X15/10	
37910832	37910832	1	BALL 1/4	
38213800	38213800	1	OIL SEAL 38X55X7	
52456336	52456336	1	PTO SHAFT	
52456340	52456340	1	SHAFT	
52456349	52456349	1	GEAR SUPPORT	
52456354	52456354	1	GEAR	
52456360	52456360	1	SLIDER	
52456370	52456370	1	SLIDER	
52456389	52456389	1	LEVER	
52456390	52456390	1	LEVER	
52456706	52456706	1	PTO COUPLING	
56356328	56356328	1	ADJUSTING RING SP=1,5	
56356329	56356329	1	ADJUSTING RING SP=1,6	
56356330	56356330	1	ADJUSTING RING SP=1,7	
56356331	56356331	1	ADJUSTING RING SP=1,8	
56356348	56356348	1	ADJUSTING RING	
56456347	56456347	1	GEAR	
56456351	56456351	1	GEAR PIN	
56456478	56456478	1	SCREW	
58043086	58043086	1	SHOE	

SERIAL

GEARS

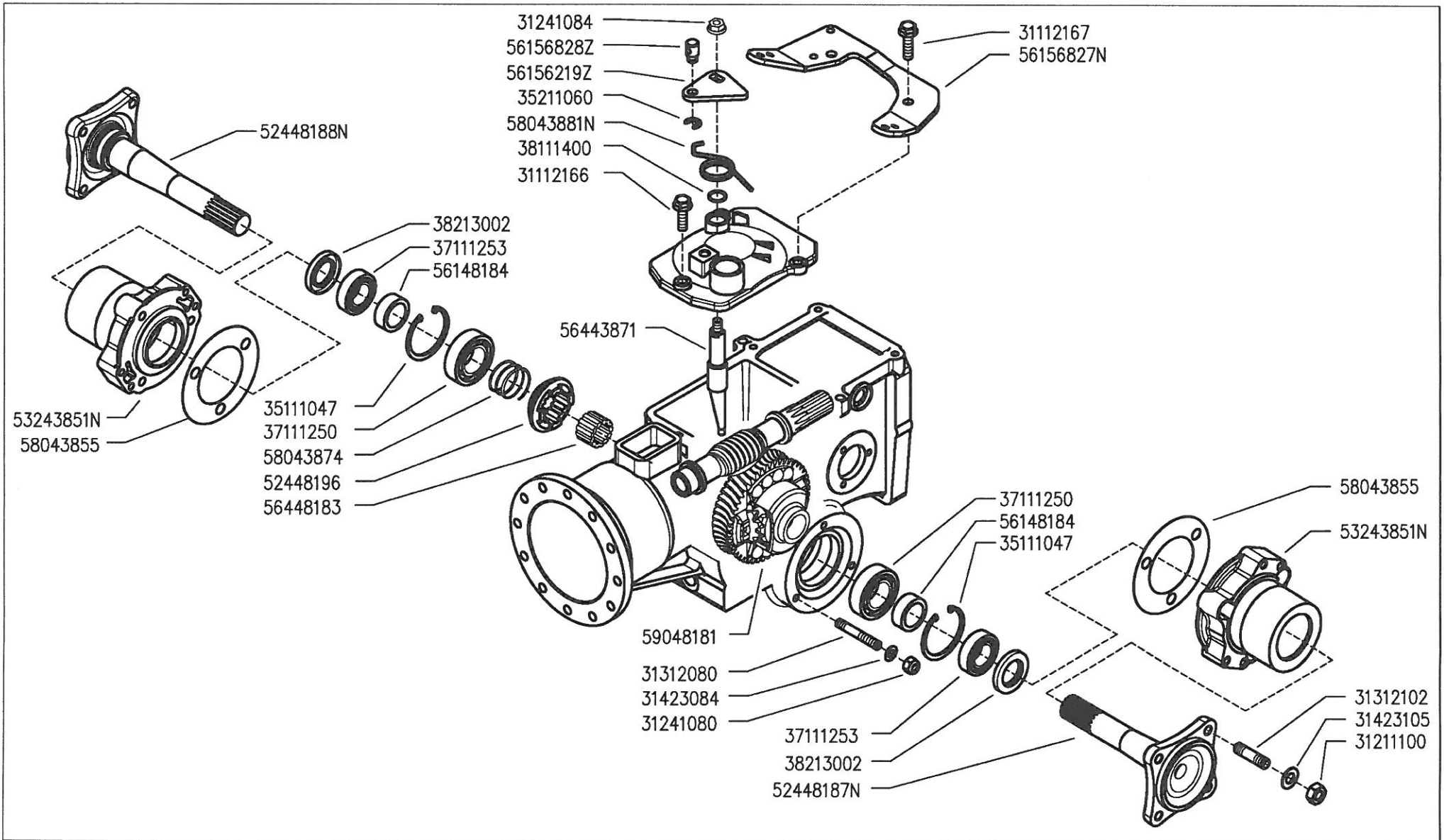
CODE REV

H01_0_141015



	600 serie PS <i>PowerSafe®</i>	GEARS ENGRANAJES	INGRANAGGI CAMBIO (650)	ENGRANAGES ZÄHNRÄDER	DALLA MACCHINA DE LA MAQUINA DE LA MAQUINA FROM THE MACHINE AB DER MASCHINE	_____	H01	Rev. 0
						N. _____		11/2010

Pos.	Code	Q.ty	Description	Notes
58056391	58056391	1	SPRING	
59056383	59056383	1	TRIPLE GEAR	
59056707	59056707	1	PTO GEAR	



600 serie PS
PowerSafe®

WHEELS AXLE
EJE RUEDAS

ASSE RUOTE
(650)

ESSIEUS ROUES
RÄDACHSE

DALLA MACCHINA
DE LA MAQUINA
FROM THE MACHINE
AB DER MASCHINE

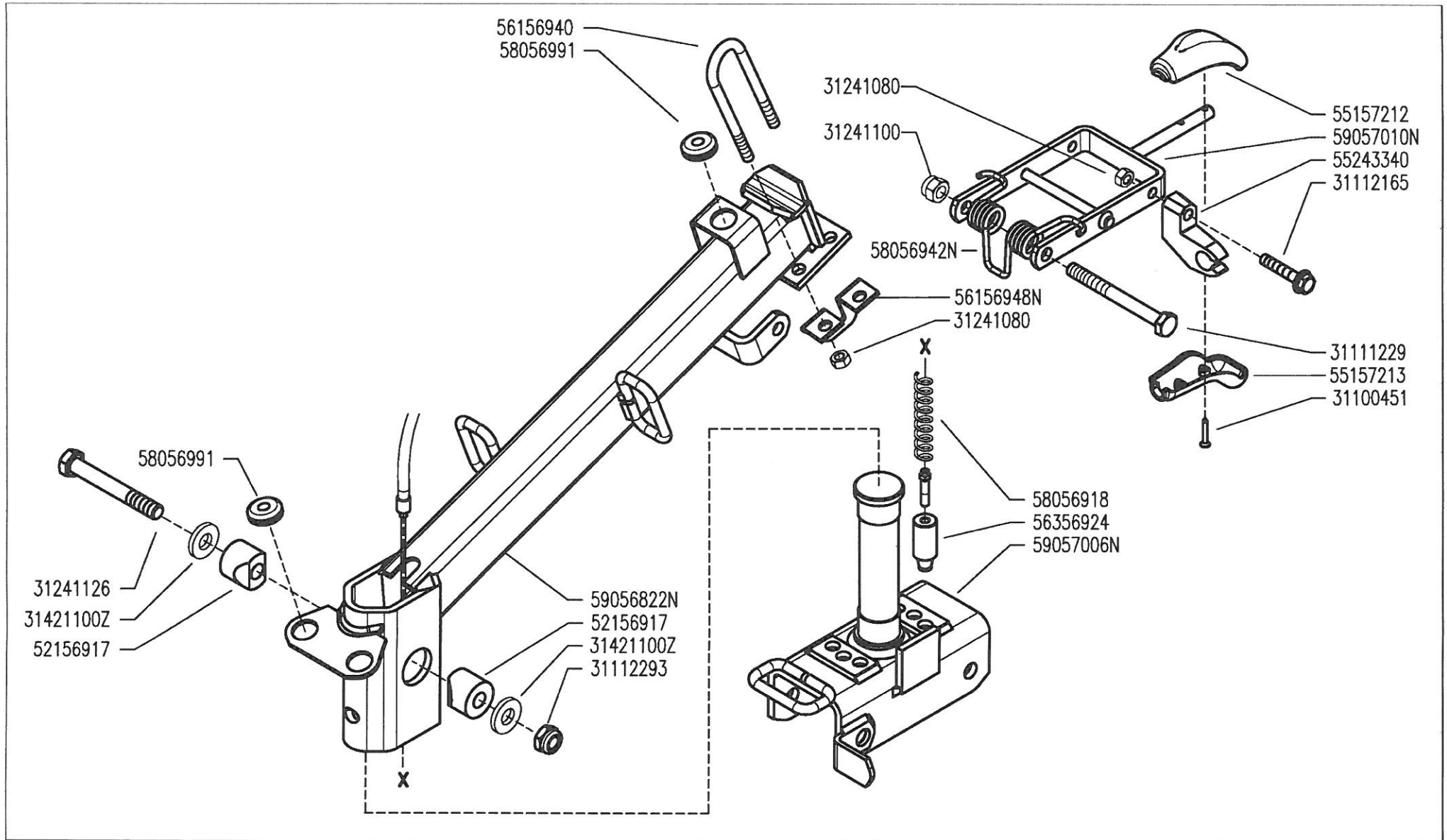
N.

I01

Rev.
0

11/2010

Pos.	Code	Q.ty	Description	Notes
31112166	31112166	1	SCREW TE C/F M8X25 DIN 6921 8G	
31112167	31112167	1	SCREW TE C/F M8X30 DIN 6921 8G	
31211100	31211100	1	NUT M10	
31241080	31241080	1	SELFLOCK NUT M8	
31241084	31241084	1	SELFLOCK NUT M8 6S	
31312080	31312080	1	STUD BOLT M8X46X20X12	
31312102	31312102	1	STUD BOLT M10X40X24X12	
31423084	31423084	1	SPRING WASHER 8,4	
31423105	31423105	1	SPRING WASHER 10,5	
35111047	35111047	1	SEEGER RING I 47 DIN 472	
35211060	35211060	1	SEEGER RING E 6 UNI 7434	
37111250	37111250	1	BEARING	
37111253	37111253	1	BEARING	
38111400	38111400	1	O-RING 2056 (14,00X1,78)	
38213002	38213002	1	OIL SEAL 30X40X7	
52448187	52448187N	1	AXLE SHAFT	
52448188	52448188N	1	AXLE SHAFT	
53243851	53243851N	1	HUB	
56148184	56148184	1	RING	
56156219	56156219Z	1	LEVER	
56156827	56156827N	1	STOP	
56156828	56156828Z	1	STOP	
56443871	56443871	1	ROD	
56448183	56448183	1	SPACER	
58043855	58043855	1	GASKET	
58043874	58043874	1	SPRING	
58043881	58043881N	1	SPRING	
59048181	59048181	1	DIFFERENTIAL GEAR	



600 serie PS
PowerSafe®

STEERING COLUMN
COLUMNA

PIANTONE
(650)

PLANTON
LENKSÄULE

DALLA MACCHINA
DE LA MAQUINA
DE LA MAQUINA
FROM THE MACHINE
AB DER MASCHINE

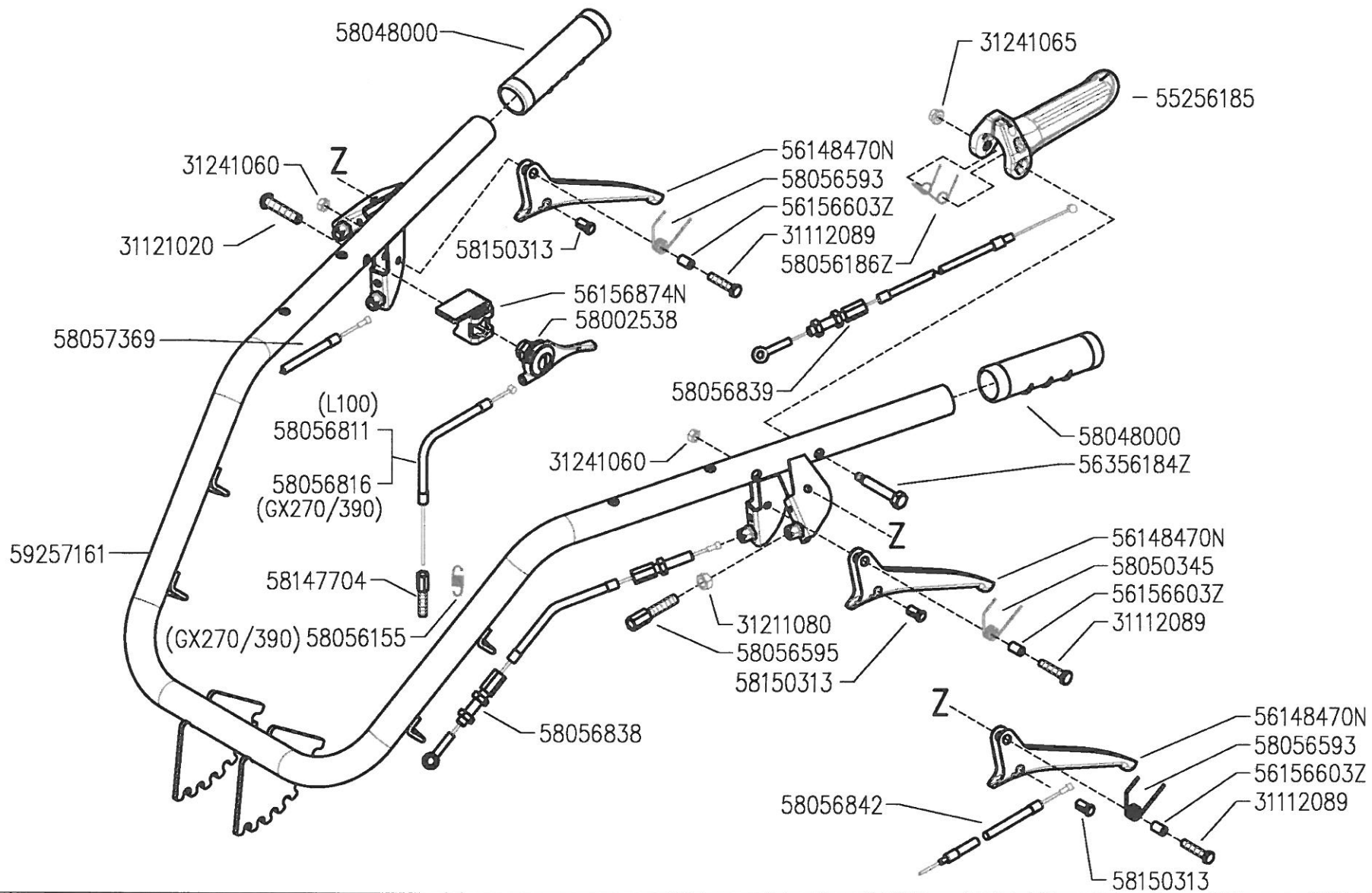
N.

J01

Rev.
0

11/2010

Pos.	Code	Q.ty	Description	Notes
31100451	31100451	1	SCREW 3,5X25	
31111229	31111229	1	SCREW TE M10X110 UNI 5737 8G	
31112165	31112165	1	SCREW TE C/F M8X35 DIN 6921 8G	
31112293	31112293	1	SCREW TE M12X80 UNI 5737	
31241080	31241080	1	SELFLOCK NUT M8	
31241100	31241100	1	SELFLOCK NUT M10 6S	
31241126	31241126	1	SELFLOCK NUT M12	
31421100	31421100Z	1	CUP SPRING	
52156917	52156917	1	WEDGE	
55157212	55157212	1	GRIP	
55157213	55157213	1	GRIP	
55243340	55243340	1	SUPPORT	
56156940	56156940	1	U BOLT	
56156948	56156948N	1	STOP	
56356924	56356924	1	FERRULE	
58056918	58056918	1	SPRING	
58056942	58056942N	1	SPRING	
58056991	58056991	1	CABLE GLAND	
59056822	59056822N	1	COLUMN	
59057006	59057006N	1	CONNECTION	
59057010	59057010N	1	LEVER	



600 serie PS
PowerSafe®

HANDLEBAR
MANILLAR

MANUBRIO
(650)

MANCHERON
LINCHER

DALLA MACCHINA
DE LA MAQUINA
FROM THE MACHINE
AB DER MASCHINE

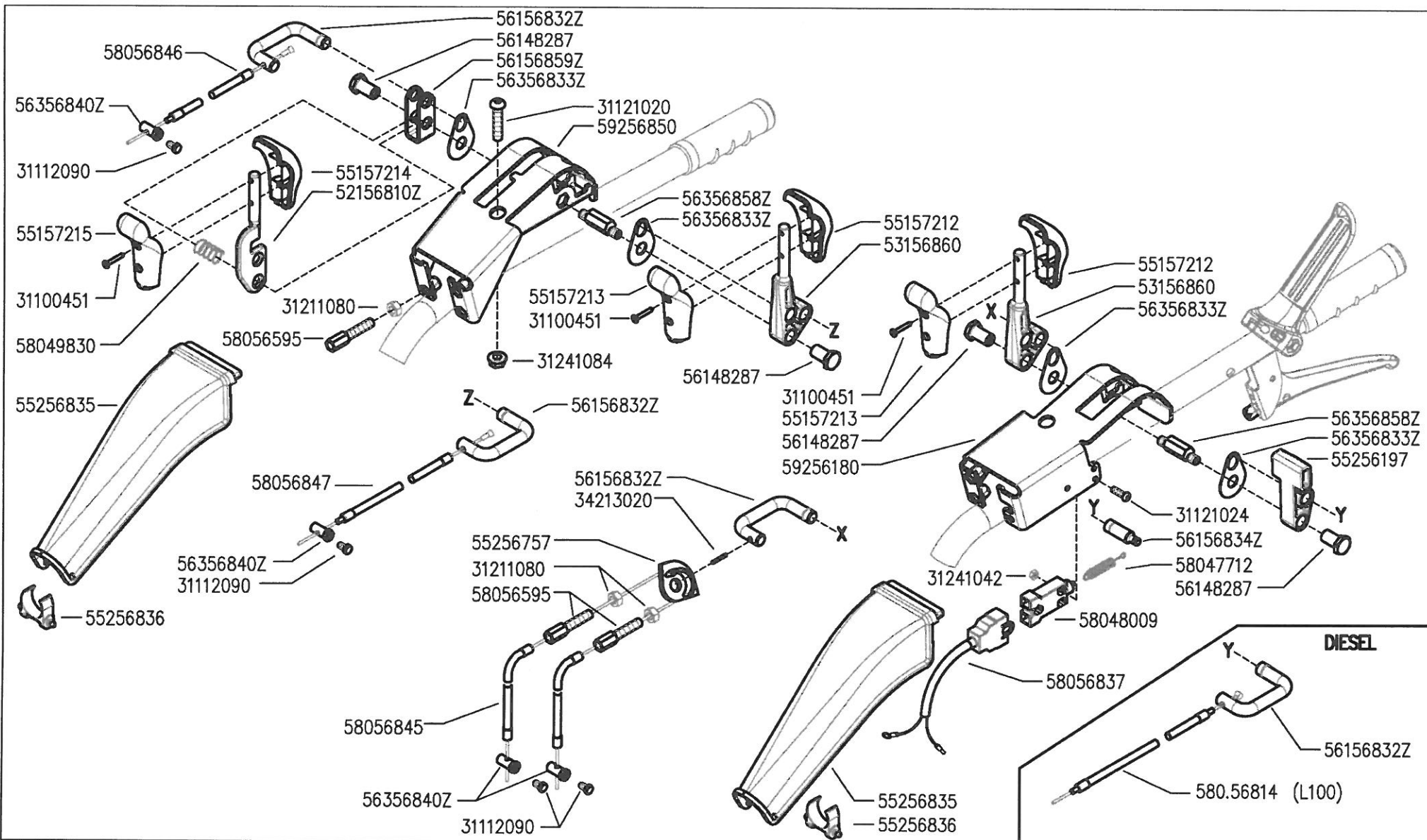
N.

K01 0

11/2010

Rev.

Pos.	Code	Q.ty	Description	Notes
31112089	31112089	1	SCREW TE M6X25 UNI 5739 8G	
31121020	31121020	1	VITE TBCEI M8X40 ISO7380 10K Z	
31211080	31211080	1	NUT M8	
31241060	31241060	1	SELFLOCK NUT M6	
31241065	31241065	1	SELFLOCK NUT M6	
55256185	55256185	1	LEVER	
56148470	56148470N	1	LEVER	
56156603	56156603Z	1	SPACER	
56156874	56156874N	1	PANEL	
56356184	56356184Z	1	LEVER PIN	
58002538	58002538	1	COMMAND LEVER	
58048000	58048000	1	KNOB	
58050345	58050345	1	SPRING	
58056155	58056155	1	RESTORING SPRING	Utilizzato con motore GX270
58056186	58056186Z	1	SPRING	
58056593	58056593	1	SPRING	
58056595	58056595	1	ADJUSTING SCREW	
58056811	58056811	1	LINE AND SHEATH	
58056816	58056816	1	LINE AND SHEATH	
58056838	58056838	1	LINE	
58056839	58056839	1	LINE	
58056842	58056842	1	LINE AND SHEATH	
58057369	58057369	1	TRANSMISSION	
58147704	58147704	1	ADJUSTING SCREW	
58150313	58150313	1	CABLE CLAMP	
59257161	59257161	1	HANDLE BAR	



600 serie PS
PowerSafe®

HANDLEBAR CONTROLS
CONTROLES EN EL MANILLAR

COMANDI SUL MANUBRIO
(650)

CONTROLES SUR LE MANCHERON
KONTROLLEN AM LINCHER

DALLA MACCHINA
DE LA MAQUINA
FROM THE MACHINE
AB DER MASCHINE

N.

	Rev.
L01	0
11/2010	

Pos.	Code	Q.ty	Description	Notes
31100451	31100451	1	SCREW 3,5X25	
31112090	31112090	1	SCREW TE M6X16 UNI 5739 8G	
31121020	31121020	1	VITE TBCEI M8X40 ISO7380 10K Z	
31121024	31121024	1	SCREW TBCEI FL.M4X25	
31211080	31211080	1	NUT M8	
31241042	31241042	1	SELFLOCK NUT M4 FL.6S	
31241084	31241084	1	SELFLOCK NUT M8 6S	
34213020	34213020	1	ROLL PIN	
52156810	52156810Z	1	COMMAND LEVER	
53156860	53156860	1	COMMAND LEVER	
55157212	55157212	1	GRIP	
55157213	55157213	1	GRIP	
55157214	55157214	1	GRIP	
55157215	55157215	1	GRIP	
55256197	55256197	1	LEVER	
55256757	55256757	1	PULLEY	
55256835	55256835	1	GUSCIO	
55256836	55256836	1	CROSS MEMBER	
56148287	56148287	1	STUD BOLT	
56156832	56156832Z	1	U BOLT	
56156834	56156834Z	1	INDEXING BOLT	
56156859	56156859Z	1	FORK	
56356833	56356833Z	1	SMALL PLATE	
56356840	56356840Z	1	CLAMPING SCREW	
56356858	56356858Z	1	PIN	
58047712	58047712	1	SPRING	
58048009	58048009	1	SWITCH	
58049830	58049830	1	SPRING	
58056595	58056595	1	ADJUSTING SCREW	
58056814	58056814	1	LINE AND SHEATH	
58056837	58056837	1	WIRING	
58056845	58056845	1	LINE AND SHEATH	
58056846	58056846	1	LINE AND SHEATH	
58056847	58056847	1	LINE AND SHEATH	

SERIAL

HANDLEBAR CONTROLS

CODE REV

LO1_0_141192

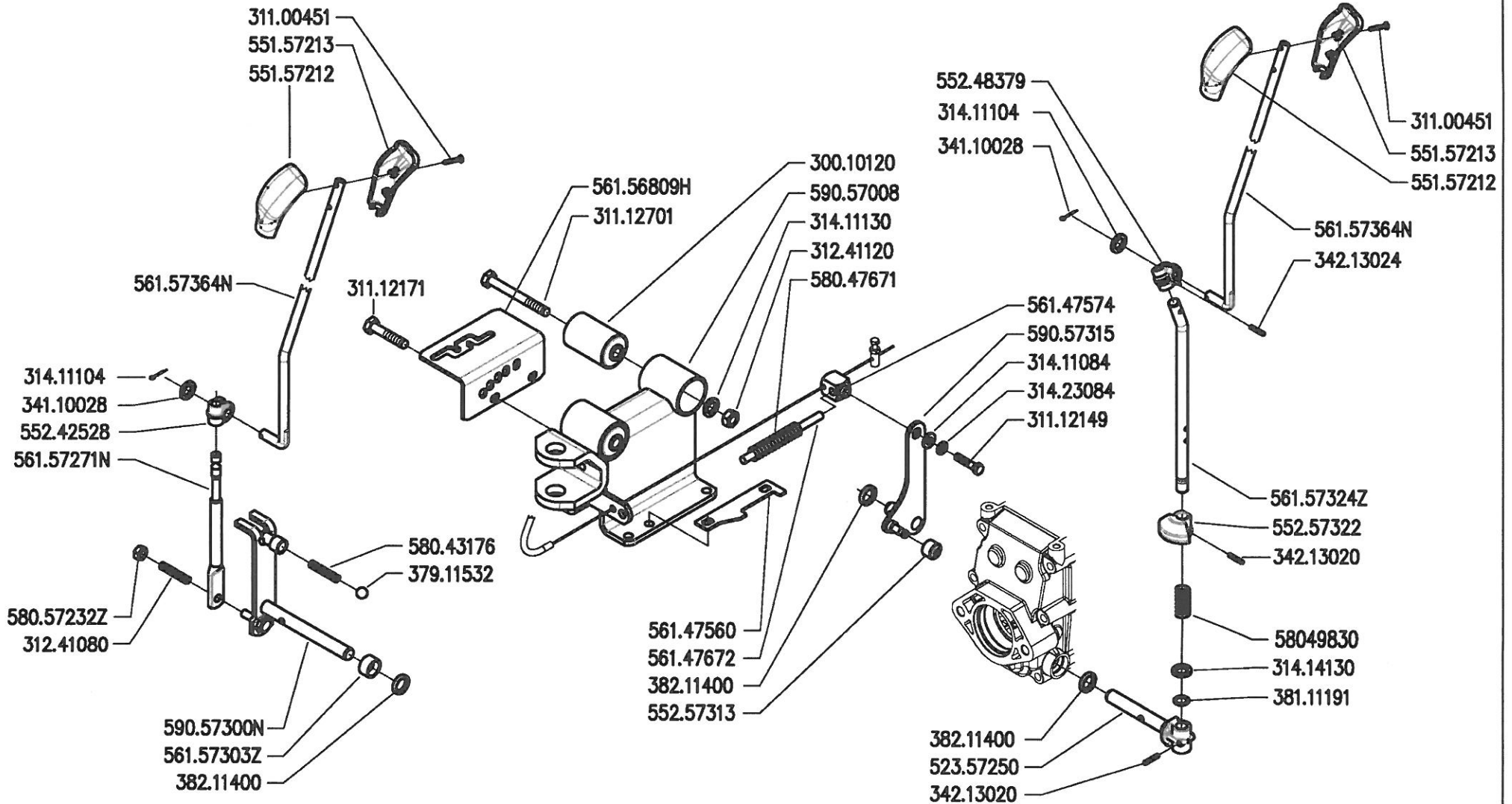
Pos.	Code	Q.ty	Description	Notes
59256180	59256180	1	SUPPORT	
59256850	59256850	1	SUPPORT	

SERIAL

HANDLEBAR CONTROLS

CODE REV

LO1_0_141192



600 serie PS
PowerSafe®

CONTROLS
MANDOS

COMANDI
(650)

COMMANDES
ANTRIEBE

DALLA MACCHINA
DE LA MAQUINA
DE LA MACHINA
FROM THE MACHINE
AB DER MASCHINE

N.

M01 0

Rev.

11/2010

Pos.	Code	Q.ty	Description	Notes
30010120	30010120	1	SILENT-BLOCK 12X40X58X66	
31100451	31100451	1	SCREW 3,5X25	
31112149	31112149	1	SCREW TE M8X12 UNI 5739 8G	
31112171	31112171	1	SCREW TE C/F M8X16 DIN 6921	
31112701	31112701	1	SCREW TE M12X100 UNI 5737	
31241080	31241080	1	SELFLOCK NUT M8	
31241120	31241120	1	SELFLOCK NUT M12	
31411084	31411084	1	WASHER 8,4x17	
31411104	31411104	1	WASHER 10,5x18	
31411130	31411130	1	WASHER 13x24	
31414130	31414130	1	WASHER 13	
31423084	31423084	1	SPRING WASHER 8,4	
34110028	34110028	1	SPLIT PIN	
34213020	34213020	1	ROLL PIN	
34213024	34213024	1	ROLL PIN	
37911532	37911532	1	BALL 15/32	
38111191	38111191	1	O-RING 115 (11,91X2,62)	
38211400	38211400	1	OIL SEAL 14X22X4	
52357250	52357250	1	PIN	
55157212	55157212	1	GRIP	
55157213	55157213	1	GRIP	
55242528	55242528	1	JOINT	
55248379	55248379	1	JOINT	
55257313	55257313	1	ROLLER	
55257322	55257322	1	STOP	
56147560	56147560	1	STOP	
56147574	56147574	1	SMALL BLOCK	
56147672	56147672	1	GUIDE PIN	
56156809	56156809H	1	GEAR SELECTOR	
56157271	56157271N	1	COMMAND LEVER	
56157303	56157303Z	1	SPACER	
56157324	56157324Z	1	PTO LEVER	
56157364	56157364N	1	PULL ROD	
58043176	58043176	1	SPRING	

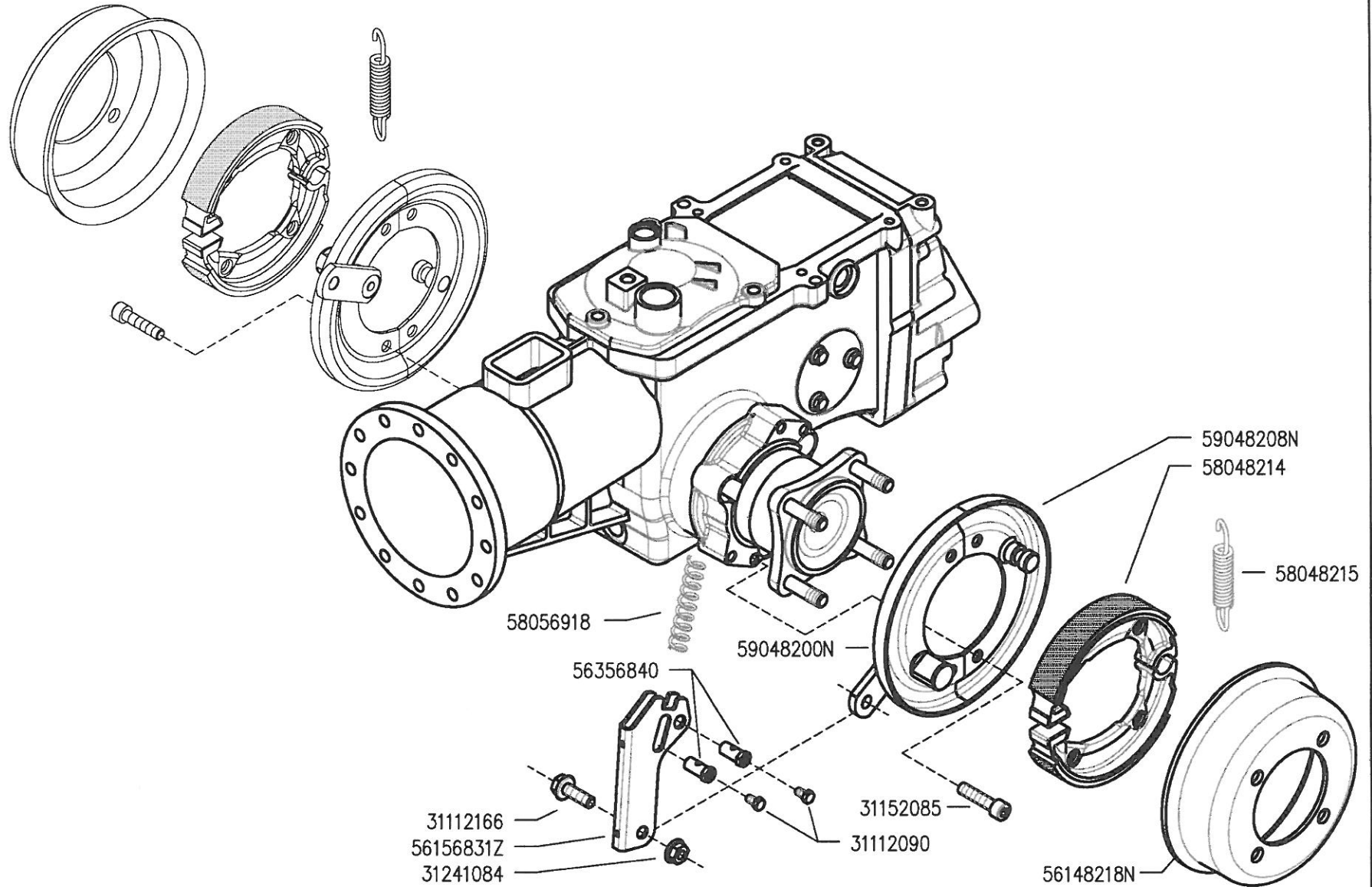
SERIAL

CONTROLS

CODE REV

M01_0_141259

Pos.	Code	Q.ty	Description	Notes
58047671	58047671	1	SPRING	
58049830	58049830	1	SPRING	
58057232	58057232Z	1	SPRING	
59057008	59057008	1	SUPPORT	
59057300	59057300N	1	GEAR LEVER	
59057315	59057315	1	LEVER	



600 serie PS
PowerSafe®

BRAKES
FRENOS

FRENI
(650)

FREINS
BREMSEN

DALLA MACCHINA
DE LA MAQUINA
FROM THE MACHINE
AB DER MASCHINE

N.

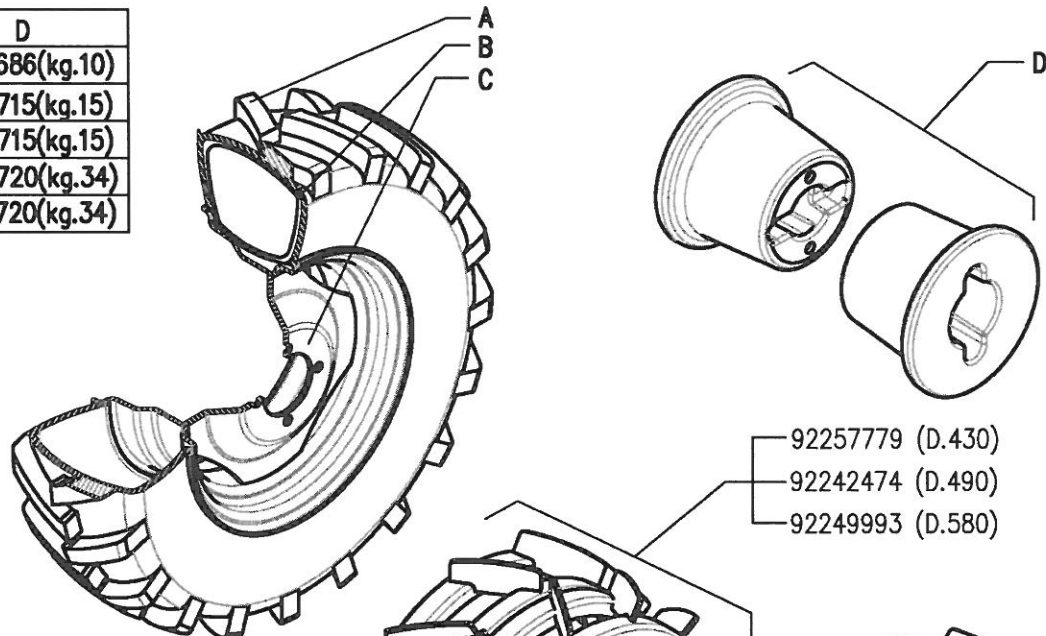
N01

Rev.
0

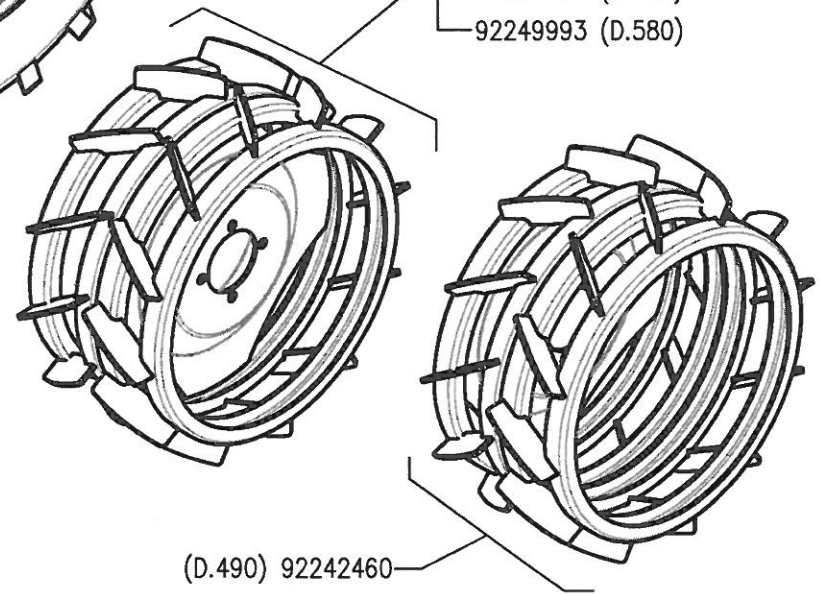
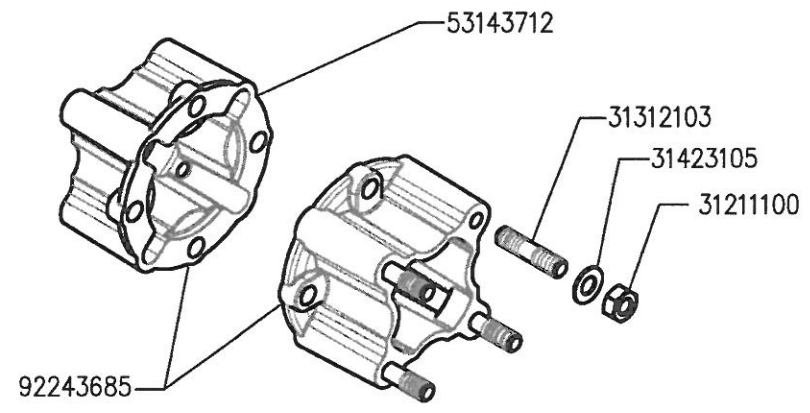
11/2010

Pos.	Code	Q.ty	Description	Notes
31112090	31112090	1	SCREW TE M6X16 UNI 5739 8G	
31112166	31112166	1	SCREW TE C/F M8X25 DIN 6921 8G	
31152085	31152085	1	SCREW TCEI M8X25 UNI 5931	
31241084	31241084	1	SELFLOCK NUT M8 6S	
56148218	56148218N	1	BRAKE DRUM	
56156831	56156831Z	1	FORK	
56356840	56356840	1	CLAMPING SCREW	
58048214	58048214	1	BRAKE BLOCK	
58048215	58048215	1	SPRING	
58056918	58056918	1	SPRING	
59048200	59048200N	1	HALF DISC	
59048208	59048208N	1	HALF DISC	

	A	B	C	D
4.00-8"	39114008	39414008	58043250	92243686(kg.10)
4.0-10"	39114010	39415010	58048330	92248715(kg.15)
5.0-10"	39115010	39415010	58048330	92248715(kg.15)
5.00-12"	39115012	39415012	58044804	92248720(kg.34)
6.5/80-12"	39116018	39416018	58044804	92248720(kg.34)



- 92257779 (D.430)
- 92242474 (D.490)
- 92249993 (D.580)



600 serie PS
PowerSafe®

WHEELS
RUEDAS

RUOTE

ROURS
RADER

DALLA MACCHINA
DE LA MAQUINA
FROM THE MACHINE
AB DER MASCHINE

N.

P01	Rev. 0
	11/2010

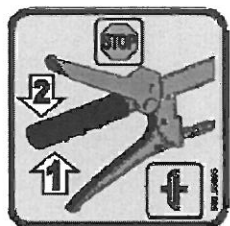
Pos.	Code	Q.ty	Description	Notes
31211100	31211100	1	NUT M10	
31312103	31312103	1	STUD BOLT M10X46X24X16	
31423105	31423105	1	SPRING WASHER 10,5	
39114008	39114008	1	TYRE 4.00-8 2PR	
39114010	39114010	1	TYRE 4.0-10 2PR	
39115010	39115010	1	TYRE 5.00-10 2PR	
39115012	39115012	1	TYRE 5.00-12 2PR	
39116018	39116018	1	TYRE 6.5/80-12 2PR	
39414008	39414008	1	INNER TUBE	
39415010	39415010	1	INNER TUBE	
39415012	39415012	1	INNER TUBE	
39416018	39416018	1	INNER TUBE	
53143712	53143712	1	SPACER	
58043250	58043250	1	RIM	
58044804	58044804	1	RIM	
58048330	58048330	1	RIM	
92242460	92242460	1	COUPLE TWINNING RINGS	
92242474	92242474	1	PAIR STEEL CAGE WHEELS D. CM.49	
92243685	92243685	1	PAIR WHEEL SPACERS 6 CM	
92243686	92243686	1	PAIR OF WEIGHTS FOR 8 WHEELS 11 KGS	
92248715	92248715	1	PAIR OF WEIGHTS FOR 10 WHEELS 15 KGS	
92248720	92248720	1	PAIR OF WEIGHTS FOR 12 AND 15 WHEELS - 34 KGS	
92249993	92249993	1	STEEL CAGE WHEELS D. 58 (PAIR)	
92257779	92257779	1	CAGE WHEELS DIAM. 43 (PAIR) FOR 720/730	

SERIAL

WHEELS

CODE REV

P01_0_141321



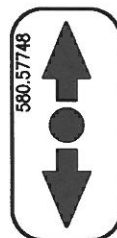
58056866



58057774



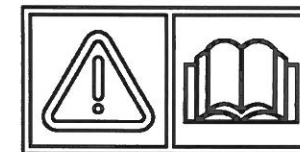
58057773



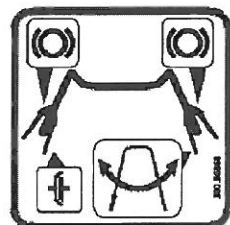
58057748



58057677



58057724



58056868



58057746



58057747



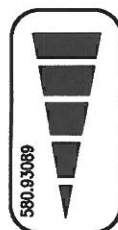
58057625



58057768



58056869



58093089



58057767



600 serie PS
PowerSafe®

STICKERS
ADHESIVOS

ADESIVE

AUTOCOLLANTS
AUFKLEBES

DALLA MACCHINA
DE LA MAQUINA
DE LA MAQUINA
FROM THE MACHINE
AB DER MASCHINE

N.

Q01

Rev.
0

11/2010

DITE.BCS - Scala 1/4

Pos.	Code	Q.ty	Description	Notes
58056866	58056866	1	DECAL	
58056868	58056868	1	DECAL	
58056869	58056869	1	DECAL	
58057625	58057625	1	DECAL	
58057677	58057677	1	DECAL	
58057724	58057724	1	DECAL	
58057746	58057746	1	DECAL	
58057747	58057747	1	DECAL	
58057748	58057748	1	DECAL	
58057767	58057767	1	DECAL	
58057768	58057768	1	DECAL	
58057773	58057773	1	DECAL	
58057774	58057774	1	DECAL	
58093089	58093089	1	DECAL	



53093088



53057666

650 MAX

58058468



530C0056



600 serie PS
PowerSafe®

STICKERS
ADHESIVOS

ADESIVE

AUTOCOLLANTS
AUFKLEBES

DALLA MACCHINA
DE LA MAQUINA
FROM THE MACHINE
AB DER MASCHINE

N.

Q02

Rev.

0

11/2010

Pos.	Code	Q.ty	Description	Notes
53057666	53057666	1	MARCHIO POWERSAFE	
53093088	53093088	1	OVAL LOGO	
530C0056	530C0056	1	DECAL MADE IN ITALY	
58058468	58058468	1	DECAL 650 MAX	

SERIAL

STICKERS

CODE REV

Q02_0_141361